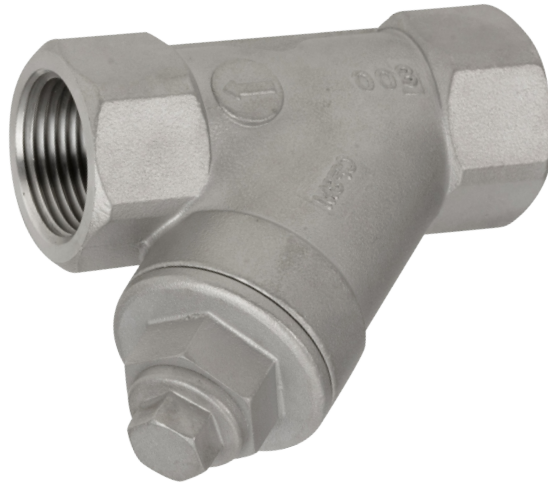
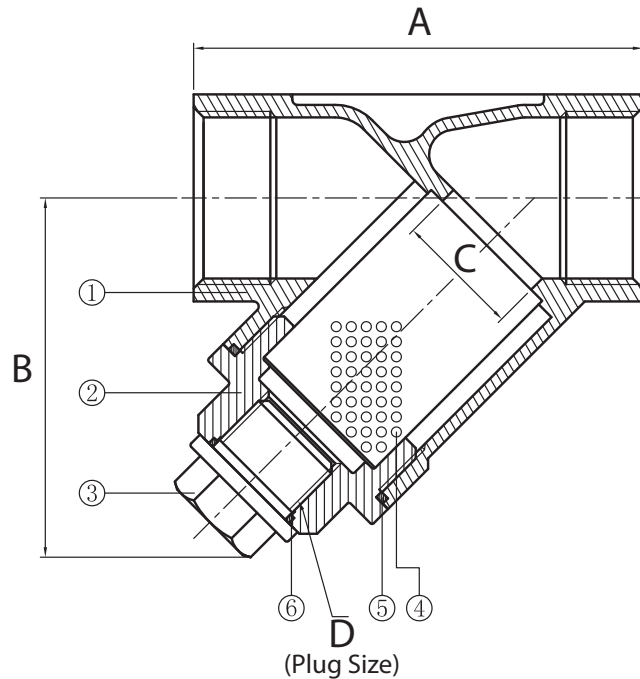


STAINLESS STEEL WYE STRAINER, THREADED



- 800 lb. CWP, 150# WSP
- 20 mesh 316 stainless steel screen
- Start-up screen included
- Blow-down plug
- Lead Free



| No. | Part | Material |
|-----|------------|----------------|
| 1 | Body | ASTM A351-CF8M |
| 2 | Cap | ASTM A351-CF8M |
| 3 | Drain Plug | ASTM A351-CF8M |
| 4 | Screen | AISI 316 |
| 5 | Body Seal | PTFE |
| 6 | O-Ring | NBR |

USA 800-766-0076

Fax 323-890-4456

www.smithcooper.com

Los Angeles, CA

Chicago, IL

Atlanta, GA

Vancouver, WA

Houston, TX

| Size IN | Part Number | Weight LB | A IN | B IN | C IN | D IN |
|------------|-------------|--------------|---------|---------|---------|---------|
| 1/2 | SCYS8004 | 0.5 | 2.56 | 1.83 | 0.59 | 1/4 |
| 3/4 | SCYS8006 | 0.8 | 3.15 | 2.70 | 0.79 | 1/4 |
| 1 | SCYS8010 | 1.6 | 3.54 | 2.80 | 0.98 | 1/2 |
| 1-1/4 | SCYS8012 | 2.0 | 4.13 | 2.91 | 1.26 | 1/2 |
| 1-1/2 | SCYS8014 | 2.7 | 4.72 | 3.25 | 1.57 | 1/2 |
| 2 | SCYS8020 | 4.3 | 5.51 | 3.74 | 1.97 | 1/2 |