



COOPLOK™ Grooved Submittal	
Mechanical and Strap Tees	
<input type="checkbox"/> Fig. 65MT & 66MT	Mechanical Tee, Threaded
<input type="checkbox"/> Fig. 65MG & 66MG	Mechanical Tee, Grooved
<input type="checkbox"/> Fig. 65MU & 66MU	Threaded Strap Tee
<p>COOPLOK™ Mechanical and Strap Tees are designed to provide an outlet wherever needed in the piping system.</p>	



Material Specifications

Fitting Materials:

Ductile Iron castings conform to ASTM A-536, Grade 65-45-12

Coating:

- Orange Paint (rust inhibiting) – Standard Coating
- Hot Dipped Galvanized conforming to ASTM A-153

Project Information	
Project/Job/System:	
Submittal Date:	
Engineer:	Contractor:
Address:	Address:
City/State:	City/State:
Notes:	


Approval Stamp

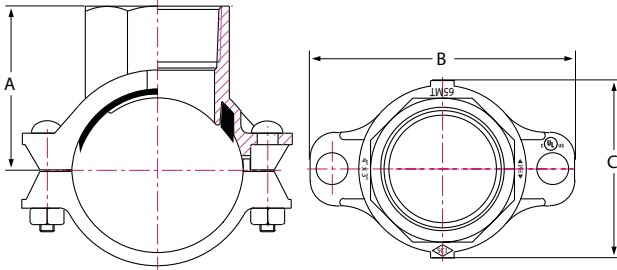


Mechanical Tee



Fig. 65MT & 66MT
Mechanical Tee, NPT

- Maximum working pressure 500 psi (34.5 bar) depending on size and schedule of pipe
- ASME B1.20.1 NPT Threads
- Equivalent length in feet of Schedule 40 outlet pipe with a Hazen-Williams coefficient of 120 per UL 213
- All housings, gaskets and bolts identified by SCI logo
- 100% Magnetic Particle inspection of each Bolt
- Each bolt has a minimum tensile strength of 110,000 psi
- Gasket Grade E - EPDM (green stripe) -30°F (-34°C) to +230°F (+110°C)
- Ductile iron housings conform to ASTM A-536
- Smith-Cooper Warranty only applies to assemblies made with housings, gaskets and bolts carrying the  logo

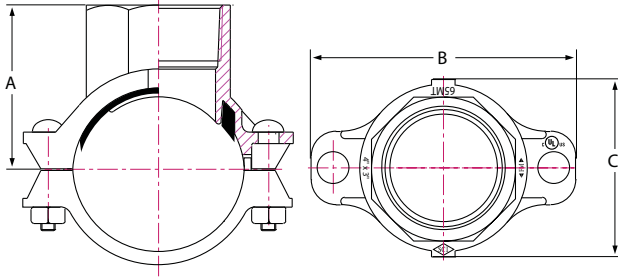


Size Run x Branch in / mm	Part Number		Hole Diameter +1/8, -0 / +3.2, -0 in / mm	Dimensions			Equivalent Length in Feet	Case Qty	Weight lb / kg
	Painted	Galvanized		A	B	C			
2 x 1/2 50 x 15	65MT3020004	66MT3020004	1-1/2 38	2.50 64.0	4.96 126.0	2.80 71.1	-	24	2.0 0.9
2 x 3/4 50 x 20	65MT3020006	66MT3020006	1-1/2 38	2.50 64.0	4.96 126.0	2.80 71.1	-	24	2.0 0.9
2 x 1 50 x 25	65MT3020010	66MT3020010	1-1/2 38	2.50 64.0	4.96 126.0	2.80 71.1	2	24	2.1 1.0
2 x 1-1/4 50 x 32	65MT3020012	66MT3020012	1-3/4 45	2.80 70.1	4.96 126.0	2.80 71.1	4	24	2.2 1.0
2 x 1-1/2 50 x 40	65MT3020014	66MT3020014	1-3/4 45	2.80 70.1	4.96 126.0	2.87 72.9	9	24	2.2 1.0
2-1/2 x 1/2 65 x 15	65MT3024004	66MT3024004	1-1/2 38	2.80 70.1	5.20 132.1	2.80 71.1	-	24	2.2 1.0
2-1/2 x 3/4 65 x 20	65MT3024006	66MT3024006	1-1/2 38	2.80 70.1	5.20 132.1	2.80 71.1	-	24	2.4 1.1
2-1/2 x 1 65 x 25	65MT3024010	66MT3024010	1-1/2 38	2.80 70.1	5.20 132.1	2.80 71.1	2	20	2.6 1.2
2-1/2 x 1-1/4 65 x 32	65MT3024012	66MT3024012	1-3/4 45	3.00 75.9	5.20 132.1	3.03 77.0	4	20	2.8 1.3
2-1/2 x 1-1/2 65 x 40	65MT3024014	66MT3024014	2 51	3.00 75.9	5.20 132.1	3.27 83.1	9	20	3.0 1.4
3 x 1 80 x 25	65MT3030010	66MT3030010	1-1/2 38	3.10 78.0	5.91 150.1	2.80 71.1	2	10	2.6 1.2
3 x 1-1/4 80 x 32	65MT3030012	66MT3030012	1-3/4 45	3.27 83.1	5.91 150.1	3.03 77.0	4	8	2.9 1.3
3 x 1-1/2 80 x 40	65MT3030014	66MT3030014	2 51	3.50 88.9	5.91 150.1	3.27 83.1	3	8	3.1 1.4
3 x 2 80 x 50	65MT3030020	66MT3030020	2-1/2 64	3.50 88.9	5.91 150.1	3.78 96.0	5	12	3.5 1.6
4 x 1 100 x 25	65MT3040010	66MT3040010	1-1/2 38	3.54 89.9	7.09 180.1	2.80 71.1	2	16	3.0 1.3
4 x 1-1/4 100 x 32	65MT3040012	66MT3040012	1-3/4 45	3.78 96.0	7.09 180.1	3.03 77.0	4	14	3.2 1.4
4 x 1-1/2 100 x 40	65MT3040014	66MT3040014	2 51	4.02 102.1	7.09 180.1	3.27 83.1	3	14	3.4 1.6



Fig. 65MT & 66MT
Mechanical Tee, NPT

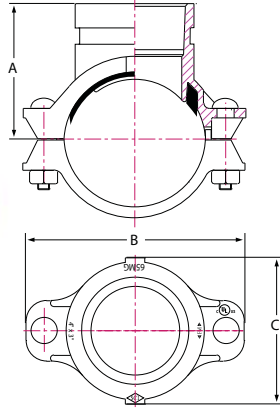
- Maximum working pressure 500 psi (34.5 bar) depending on size and schedule of pipe
- ASME B1.20.1 NPT threads
- Equivalent length in feet of schedule 40 outlet pipe with a Hazen-Williams coefficient of 120 per UL 213
- All housings, gaskets and bolts identified by SCI logo
- 100% magnetic particle inspection of each bolt
- Each bolt has a minimum tensile strength of 110,000 psi
- Gasket Grade E - EPDM (green stripe) -30°F (-34°C) to +230°F (+110°C)
- Ductile iron housings conform to ASTM A-536
- Smith-Cooper Warranty only applies to assemblies made with housings, gaskets and bolts carrying the logo



Size Run x Branch in / mm	Part Number		Hole Diameter +1/8, -0 / +3.2, -0 in / mm	Dimensions			Equivalent Length in Feet	Case Qty	Weight lb / kg
	Painted	Galvanized		A	B	C			
4 x 2 100 x 50	65MT3040020	66MT3040020	2-1/2 64	4.02 102.1	7.24 183.9	3.94 100.1	5	8	4.4 2.0
4 x 2-1/2 100 x 65	65MT3040024	66MT3040024	2-3/4 70	4.02 102.1	7.24 183.9	4.21 106.9	11	8	4.9 2.2
4 x 3 100 x 80	65MT3040030	66MT3040030	3-1/2 89	4.53 115.1	7.24 183.9	4.76 120.9	13	6	6.1 2.8
5 x 1-1/4 125 x 32	65MT3050012	66MT3050012	1-3/4 45	4.76 120.9	7.99 202.9	3.03 77.0	4	8	4.1 1.9
5 x 1-1/2 125 x 40	65MT3050014	66MT3050014	2 51	4.76 120.9	7.99 202.9	3.27 83.1	3	8	4.2 1.9
5 x 2 125 x 50	65MT3050020	66MT3050020	2-1/2 64	4.76 120.9	8.66 220.0	3.94 100.1	5	6	6.0 2.7
5 x 2-1/2 125 x 65	65MT3050024	66MT3050024	2-3/4 70	4.76 120.9	8.66 220.0	4.21 106.9	11	6	6.6 3.0
5 x 3 125 x 80	65MT3050030	66MT3050030	3-1/2 89	5.00 127.0	8.66 220.0	4.92 125.0	13	4	7.5 3.4
6 x 1-1/4 150 x 32	65MT3060012	66MT3060012	1-3/4 45	5.12 130.0	9.13 231.9	3.03 77.0	4	8	4.4 2.0
6 x 1-1/2 150 x 40	65MT3060014	66MT3060014	2 51	5.12 130.0	9.13 231.9	3.27 83.1	3	8	4.5 2.0
6 x 2 150 x 50	65MT3060020	66MT3060020	2-1/2 64	5.12 130.0	9.76 247.9	3.94 100.1	5	6	6.5 3.0
6 x 2-1/2 150 x 65	65MT3060024	66MT3060024	2-3/4 70	5.12 130.0	9.76 247.9	4.21 106.9	11	6	6.8 3.1
6 x 3 150 x 80	65MT3060030	66MT3060030	3-1/2 89	5.51 140.0	9.76 247.9	4.92 125.0	13	4	7.9 3.6
6 x 4 150 x 100	65MT3060040	66MT3060040	4-1/2 114	5.75 146.1	9.76 247.9	5.91 150.1	15	3	9.6 4.4
8 x 2 200 x 50	65MT3080020	66MT3080020	2-1/2 64	6.26 159.0	11.81 300.0	3.94 100.1	5	4	8.2 3.7
8 x 2-1/2 200 x 65	65MT3080024	66MT3080024	2-3/4 70	6.26 159.0	11.81 300.0	4.21 106.9	11	3	8.6 3.9
8 x 3 200 x 80	65MT3080030	66MT3080030	3-1/2 89	6.50 165.1	11.81 300.0	4.92 125.0	13	3	9.3 4.2
8 x 4 200 x 100	65MT3080040	66MT3080040	4-1/2 114	6.73 170.9	11.81 300.0	5.91 150.1	15	2	10.7 4.9



Mechanical Tee, Grooved



**Fig. 65MG & 66MG
Mechanical Tee, Grooved**

- Maximum working pressure 500 psi (34.5 bar) depending on size and schedule of pipe
- Equivalent length in feet of schedule 40 outlet pipe with a Hazen-Williams coefficient of 120 per UL 213
- All housings, gaskets and bolts identified by SCI logo
- Gasket Grade E - EPDM (green stripe) -30°F (-34°C) to +230°F (+110°C)
- Ductile iron housings conform to ASTM A-536
- Groove dimensions to AWWA C-606
- Smith-Cooper Warranty only applies to assemblies made with housings, gaskets and bolts carrying the SCI logo

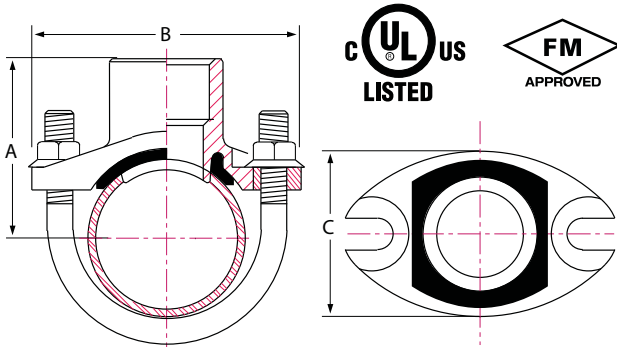


Size Run x Branch in / mm	Part Number		Hole Diameter +1/8, -0 / +3.2, -0 in / mm	Dimensions			Equivalent Length in Feet	Case Qty	Weight lb / kg
	Painted	Galvanized		A	B	C			
3 x 1-1/4 80 x 32	65MG3030012	66MG3030012	1-3/4 45	3.50 89.9	5.90 150.1	3.03 77.0	4	10	3.0 1.4
3 x 1-1/2 80 x 40	65MG3030014	66MG3030014	2 51	3.50 89.9	5.90 150.1	3.30 83.1	3	8	3.1 1.4
3 x 2 80 x 50	65MG3030020	66MG3030020	2-1/2 64	3.50 89.9	5.90 150.1	3.80 96.0	5	12	3.6 1.6
4 x 1-1/4 100 x 40	65MG3040012	66MG3040012	1-3/4 45	4.00 102.1	7.10 180.1	3.03 77.0	4	16	3.2 1.4
4 x 1-1/2 100 x 40	65MG3040014	66MG3040014	2 51	4.00 102.1	7.10 180.1	3.30 83.1	3	14	4.3 1.9
4 x 2 100 x 50	65MG3040020	66MG3040020	2-1/2 64	4.02 102.1	7.24 183.9	3.94 100.1	5	8	4.4 2.0
4 x 2-1/2 100 x 65	65MG3040024	66MG3040024	2-3/4 70	4.02 102.1	7.24 183.9	4.21 106.9	11	8	4.9 2.2
4 x 3 100 x 80	65MG3040030	66MG3040030	3-1/2 89	4.53 115.1	7.24 183.9	4.76 120.9	13	8	6.1 2.8
5 x 1-1/2 125 x 40	65MG3050014	66MG3050014	2 51	4.76 120.9	7.99 202.9	3.27 83.1	3	8	4.2 1.9
5 x 2 125 x 50	65MG3050020	66MG3050020	2-1/2 64	4.76 120.9	8.66 220.0	3.94 100.1	5	6	6.0 2.7
5 x 2-1/2 125 x 65	65MG3050024	66MG3050024	2-3/4 70	4.76 120.9	8.66 220.0	4.21 106.9	11	6	6.6 3.0
5 x 3 125 x 80	65MG3050030	66MG3050030	3-1/2 89	5.00 127.0	8.66 220.0	4.92 125.0	13	6	7.5 3.4
6 x 1-1/4 150 x 32	65MG3060012	66MG3060012	1-3/4 45	5.12 130.0	9.13 231.9	3.03 77.0	4	8	4.4 2.0
6 x 1-1/2 150 x 40	65MG3060014	66MG3060014	2 51	5.12 130.0	9.13 231.9	3.27 83.1	3	8	4.5 2.0
6 x 2 150 x 50	65MG3060020	66MG3060020	2-1/2 64	5.12 130.0	9.76 247.9	3.94 100.1	5	6	6.5 3.0
6 x 2-1/2 150 x 65	65MG3060024	66MG3060024	2-3/4 70	5.12 130.0	9.76 247.9	4.21 106.9	11	6	6.8 3.1
6 x 3 150 x 80	65MG3060030	66MG3060030	3-1/2 89	5.51 140.0	9.76 247.9	4.92 125.0	13	5	7.9 3.6
6 x 4 150 x 100	65MG3060040	66MG3060040	4-1/2 114	5.75 146.1	9.76 247.9	5.91 150.1	15	4	9.6 4.4
8 x 2 200 x 50	65MG3080020	66MG3080020	2-1/2 64	6.26 159.0	11.81 300.0	3.94 100.1	5	4	8.2 3.7
8 x 2-1/2 200 x 65	65MG3080024	66MG3080024	2-3/4 70	6.26 159.0	11.81 300.0	4.21 106.9	11	4	8.6 3.9
8 x 3 200 x 80	65MG3080030	66MG3080030	3-1/2 89	6.50 165.1	11.81 300.0	4.92 125.0	13	3	9.3 4.2
8 x 4 200 x 100	65MG3080040	66MG3080040	4-1/2 114	6.73 170.9	11.81 300.0	5.91 150.1	15	3	10.7 4.9



**Fig. 65MU & 66MU
Strap Tee, NPT**

- Maximum working pressure 300 psi (20.7 bar) depending on size and schedule of pipe
- ASME B1.20.1 NPT threads
- Equivalent length in feet of schedule 40 outlet pipe with a Hazen-Williams coefficient of 120 per UL 213
- 1" outlets not listed by UL for direct connection to 1" sprinkler heads
- Gasket Grade E - EPDM (green stripe) -30°F (-34°C) to +230°F (+110°C)
- Ductile iron housings conform to ASTM A-536
- Smith-Cooper Warranty only applies to assemblies made with housings, gaskets and bolts carrying the logo



Size Run x Branch in / mm	Part Number		Hole Diameter +1/8, -0 / +3.2, -0 in / mm	Dimensions			Equivalent Length in Feet	Case Qty	Weight lb / kg
	Painted	Galvanized		A	B	C			
1-1/4 x 1/2 32 x 15	65MU3012004	66MU3012004	1-1/4 32	1.65 41.9	3.54 89.9	2.28 57.9	-	50	0.8 0.4
1-1/4 x 3/4 32 x 20	65MU3012006	66MU3012006	1-1/4 32	1.85 47.0	3.54 89.9	2.28 57.9	-	50	0.9 0.4
1-1/4 x 1 32 x 25	65MU3012010	66MU3012010	1-1/4 32	2.13 54.1	3.54 89.9	2.28 57.9	5	50	1.0 0.5
1-1/2 x 1/2 40 x 15	65MU3014004	66MU3014004	1-1/4 32	1.77 45.0	3.54 89.9	2.28 57.9	-	48	0.8 0.4
1-1/2 x 3/4 40 x 20	65MU3014006	66MU3014006	1-1/4 32	1.97 50.0	3.54 89.9	2.28 57.9	-	48	0.9 0.4
1-1/2 x 1 40 x 25	65MU3014010	66MU3014010	1-1/4 32	2.24 56.9	3.54 89.9	2.28 57.9	5	48	1.0 0.5
2 x 1/2 50 x 15	65MU3020004	66MU3020004	1-1/4 32	2.01 51.1	3.74 95.0	2.28 57.9	-	45	0.8 0.4
2 x 3/4 50 x 20	65MU3020006	66MU3020006	1-1/4 32	2.20 55.9	3.74 95.0	2.28 57.9	-	45	0.9 0.4
2 x 1 50 x 25	65MU3020010	66MU3020010	1-1/4 32	2.48 63.0	3.74 95.0	2.28 57.9	5	45	1.0 0.5
2-1/2 x 1/2 65 x 15	65MU3024004	66MU3024004	1-1/4 32	2.26 57.4	4.29 109.0	2.28 57.9	-	36	1.0 0.5
2-1/2 x 3/4 65 x 20	65MU3024006	66MU3024006	1-1/4 32	2.50 62.5	4.29 109.0	2.30 57.9	-	36	1.1 0.5
2-1/2 x 1 65 x 25	65MU3024010	66MU3024010	1-1/4 32	2.70 69.6	4.29 109.0	2.30 57.9	5	36	1.2 0.5

Please see complete installation instructions at www.smithcooper.com for important guidelines and limitations on the use and applications of COOPLOK™ Grooved Couplings and Fittings.