



Valves, Automation & Controls

FLUSH BOTTOM TANK VALVES



*HIGH PERFORMANCE
3-PIECE BALL VALVE*

SMITH-COOPER®
INTERNATIONAL

Design & Features

Body Material

316 Stainless Steel

Tank Pad Made From Solid Bar

Machined from 316L Stainless Steel, eliminating porosity.

3-Piece Design

In-line serviceable swing-out center section allows easy access to internal valve components without disturbing alignment of pipe.

Stem Design

Live-loaded, bottom entry, blowout proof, anti-static stem featuring packing that extends valve cycle life over conventional ball valves and is best choice for actuation.

Stem seals are live-loaded using Belleville springs to provide consistent sealing forces, reducing or eliminating the need for frequent seal adjustment.

Tongue and Groove Design

Fully encapsulated body seals, allowing ends to be welded in-line, without time consuming and labor intensive disassembly.

Design compensates for bolt expansion and reduces the chance of external leakage.

Helps prevent seal ruptures in high pressure, steam applications.

Encapsulated Body Bolts

Heavy duty stainless steel bolting is protected from outside environment assuring valve integrity.

Ideal for wash-downs.

Slotted Seat Design

Relief slots help equalize body pressure and assure leak-tight sealing. Seats also provide a wiping action that cleans ball and seats each time valve is cycled.

Choice of Seats and Seals

A wide variety of seat and seal materials are readily available for the most demanding applications including; TFE, RTFE, TFM[®], Nova, Delrin, PEEK, EPDM and Viton[®]

Variety of End Combinations

A wide choice of end connections are available including, but not limited to; threaded, socket weld, butt weld and flanged.

ISO 5211 Integral Mounting Pad

Ideal for actuation.

Centering lip feature assures precise alignment of bracket, stem and coupler.

Actuators may be retrofitted on existing Sharpe[®] Flush Bottom Tank Valves without disruption of line integrity.

Allows for secondary containment unit to be added when necessary.

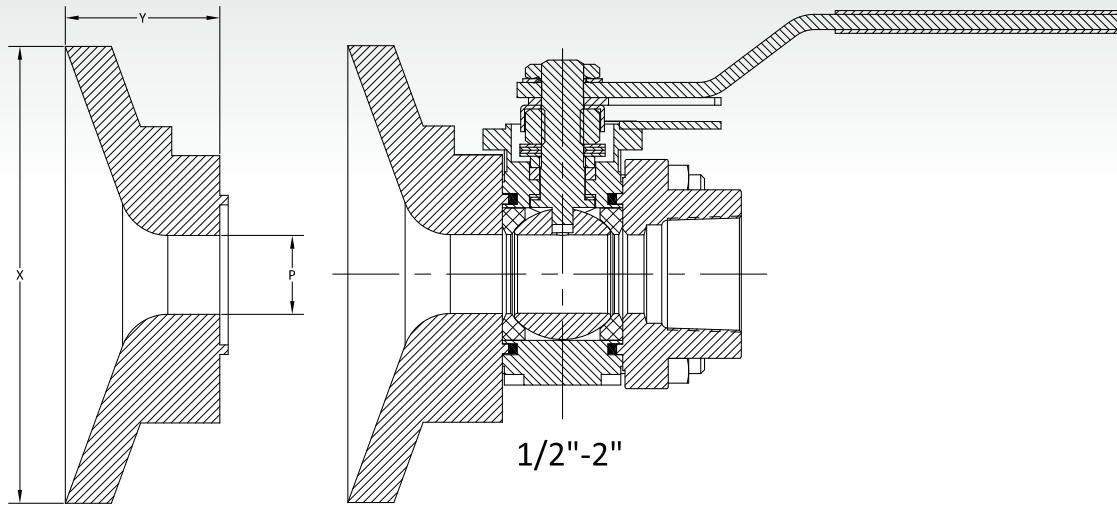
Lockable Handle

All Sharpe[®] Flush Bottom Tank Valves are supplied with lever or pipe handles and are designed to permit locking the valve in either the open or closed position.

Traceability

Body and end piece castings are marked with heat codes providing traceability to the chemical analysis and material test reports performed at the foundry. CMTR's (Certified Material Test Reports) are available upon request.

Dimensions



1/2"-2"

Series 84

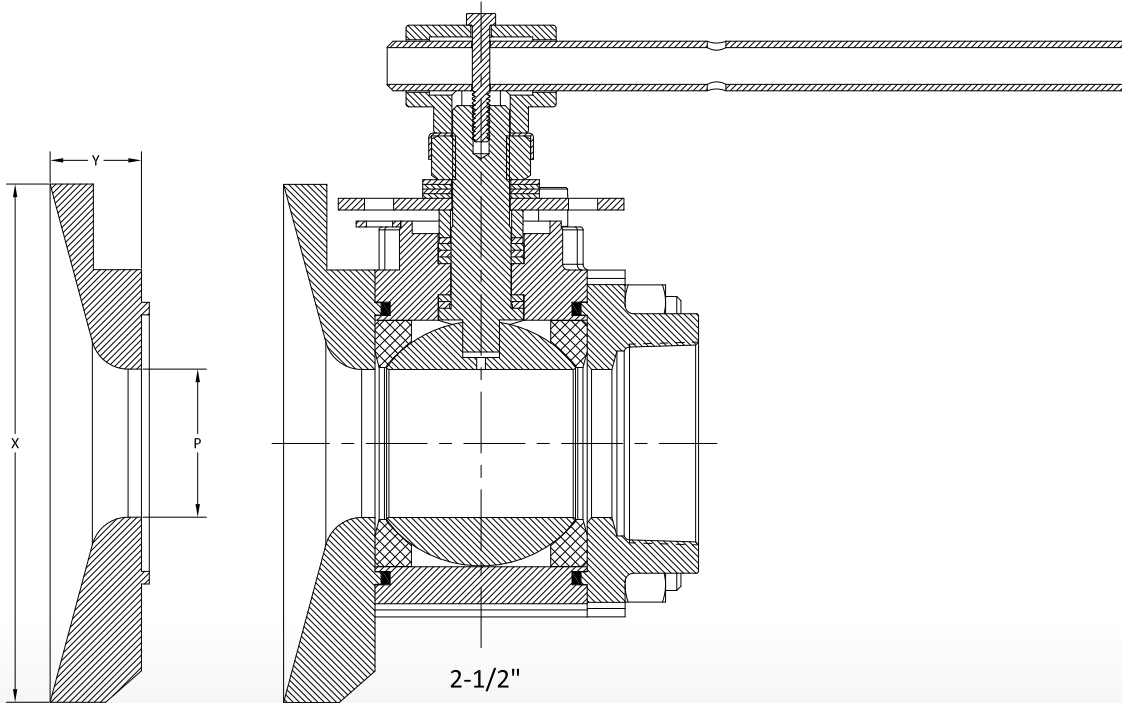
SIZE	X	Y	P
1"	4.75	1.61	0.82
1¼"	4.75	0.79	1.00
1½"	5.50	1.50	1.25
2"	5.50	1.10	1.50

Series 88

SIZE	X	Y	P
1"	3.74	0.79	0.87
1¼"	3.74	0.79	1.12
1½"	5.50	1.10	1.37
2"	5.50	1.14	1.87

Series 99

SIZE	X	Y	P
1"	4.75	0.79	1.00
1¼"	5.50	1.50	1.25
1½"	5.50	1.10	1.50



2-1/2"

Series 84

SIZE	X	Y	P
2½"	7.00	1.32	2.00

Series 88

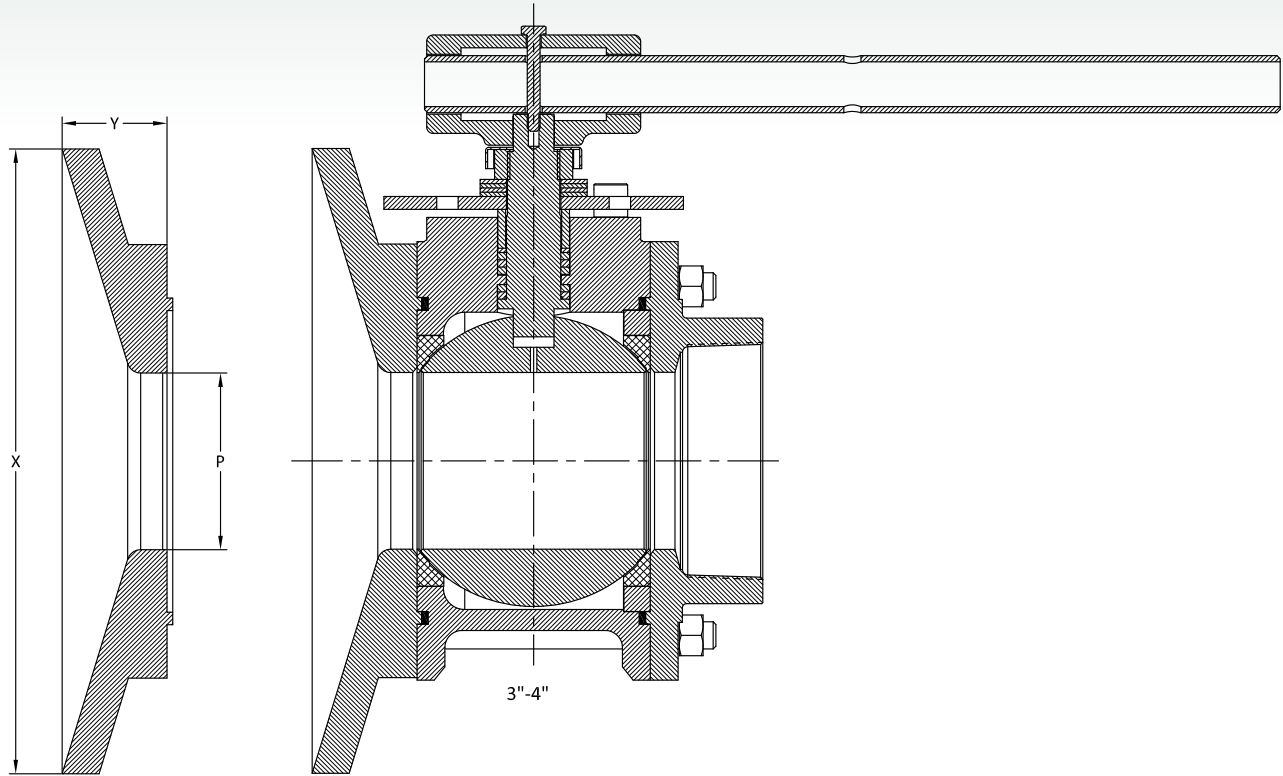
SIZE	X	Y	P
2½"	7.00	1.34	2.37

Series 99

SIZE	X	Y	P
2"	7.00	1.32	2.00

The dimensions above are for information only. Please refer to Sharpe® Valves if you need dimensions for construction.

Dimensions



Series 84			
SIZE	X	Y	P
3"	10.00	2.16	2.50
4"	11.50	1.93	3.25

Series 88			
SIZE	X	Y	P
3"	10.00	1.69	2.87
4"	11.50	1.93	3.83

Series 99			
SIZE	X	Y	P
2½"	10.00	2.16	2.50
3"	11.50	1.93	3.25

The dimensions above are for information only. Please refer to Sharpe® Valves if you need dimensions for construction.



SMITH-COOPER®
INTERNATIONAL

Toll Free 877-774-2773 Fax 708-562-9250

www.smithcooper.com • www.sharpevalves.com

Los Angeles, CA • Chicago, IL • Atlanta, GA • Vancouver, WA

