



Valves, Automation & Controls

SERIES D88



***HIGH PURITY
TUBE FULL PORT
DIVERTER BALL VALVE***

SMITH-COOPER[®]
INTERNATIONAL

Design & Features

Body Material

316L Stainless Steel

3-Piece Diverter Design

In-line serviceable swing-out center section allows easy access to internal valve components without disturbing alignment of pipe.

Stem Design

Live-loaded, bottom entry, blowout proof stem featuring packing that extends valve cycle life over conventional ball valves and is best choice for actuation.

Stem seals are live-loaded using Belleville springs to provide consistent sealing forces, reducing or eliminating the need for frequent seal adjustment.

Tongue and Groove Design

Fully encapsulated body seals, allowing ends to be welded in-line, without time consuming and labor intensive disassembly.

Design compensates for bolt expansion and reduces the chance of external leakage.

Helps prevent seal ruptures in high pressure, cryogenic or steam applications.

Encapsulated Body Bolts

Heavy duty stainless steel bolting is protected from outside environment assuring valve integrity.

Ideal for wash-downs.

ISO 5211 Integral Mounting Pad

Ideal for actuation.

Centering lip feature assures precise alignment of bracket, stem and coupler.

Actuators may be retrofitted on existing Sharpe® Series D88 without disruption of line integrity.

Allows for secondary containment unit to be added when necessary.

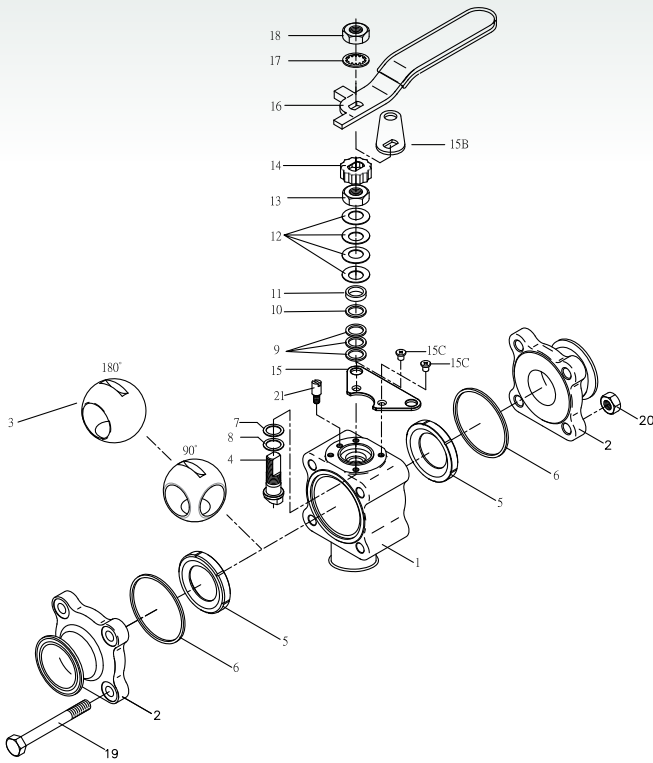
Lockable Handle

All Sharpe® Series D88 valves are supplied with lockable lever or pipe handles.

Traceability

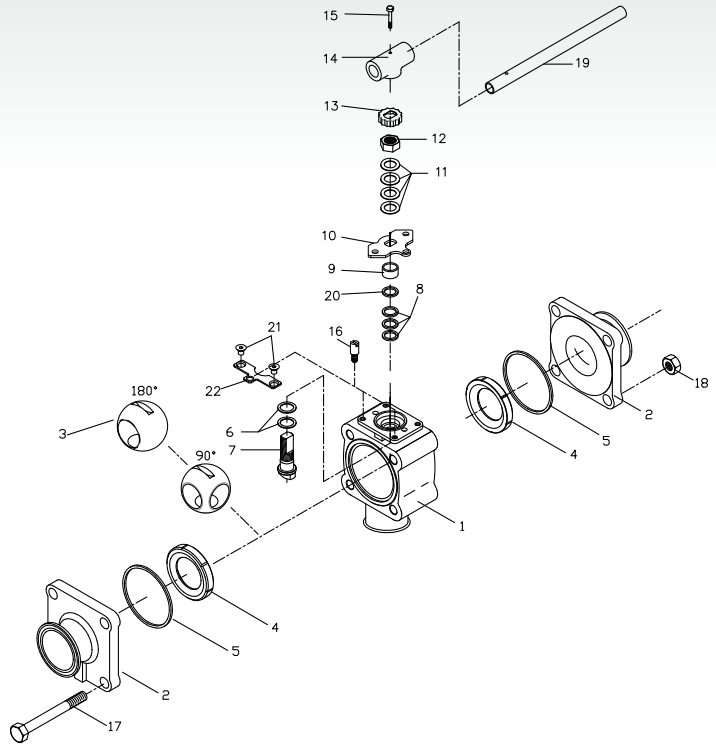
Body and end piece castings are marked with heat codes providing traceability to the chemical analysis and material test reports performed at the foundry. CMTR's (Certified Material Test Reports) are available upon request.

1/2" - 2" Parts & Materials



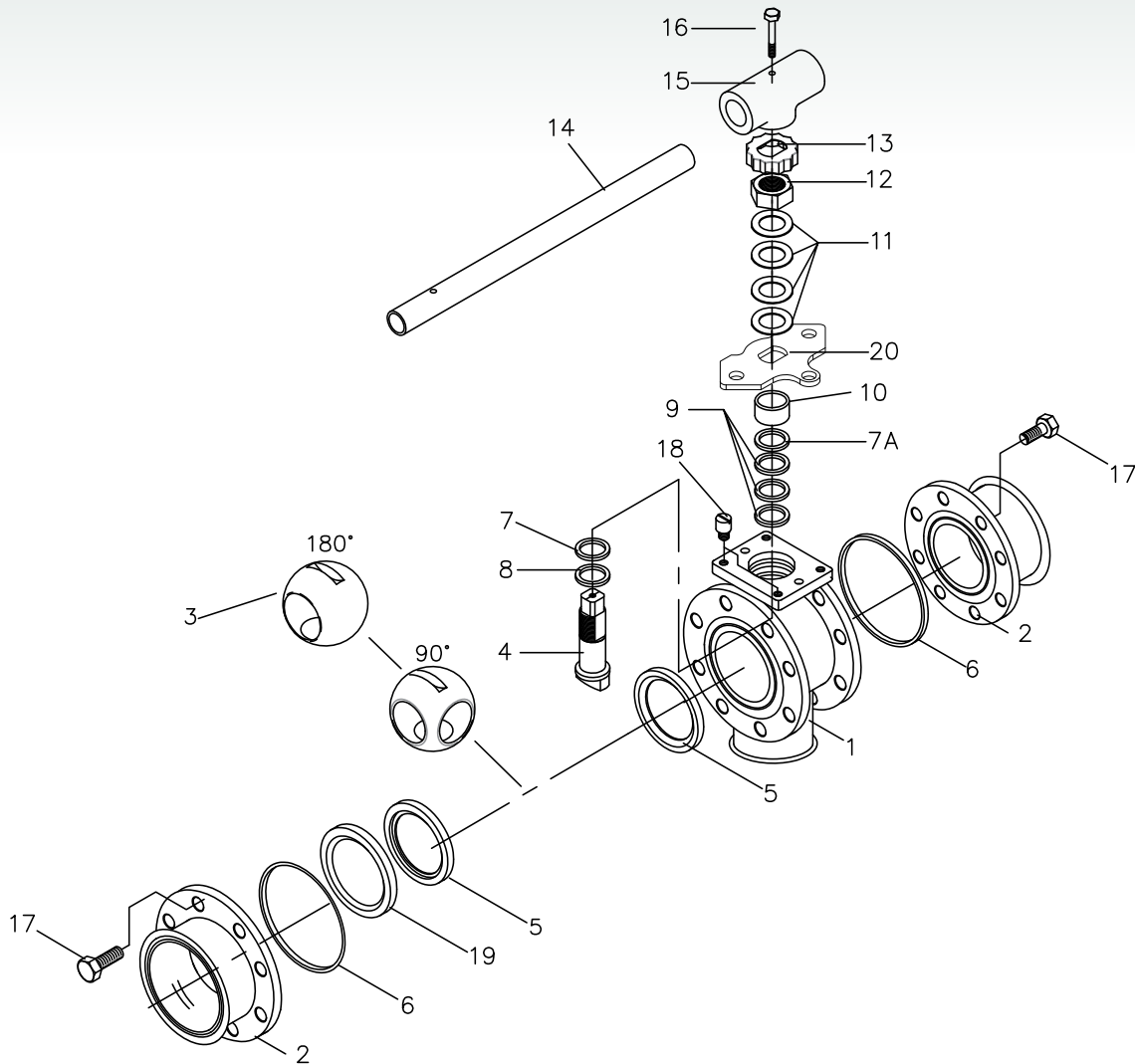
No.	Part Name	Qty	Material
1	Body	1	316L Stainless Steel ASTM A351 CF3M
2	Pipe Ends	2	316L Stainless Steel ASTM A351 CF3M
3	Ball	1	316L Stainless Steel
4	Stem	1	316L Stainless Steel
5	Seat	2	TFM®, PTFE/RTFE/Cavity Filler PTFE
6	Body Seal	2/3	PTFE, TFM®
7	Thrust Bearing	1	TFM®
8	Thrust Bearing	1	TFM®
9	Stem Packing	3	TFM®
10	Seal Protector	1	TFM®
11	Gland	1	300 Series Stainless Steel
12	Belleville Washer	4	300 Series Stainless Steel
13	Packing Nut	1	300 Series Stainless Steel
14	Lock Tab	1	300 Series Stainless Steel
15	Lower Lock Latch	1	300 Series Stainless Steel
15B	Upper Lock Latch	1	300 Series Stainless Steel
15C	Latch Bolt	2	300 Series Stainless Steel
16	Handle	1	300 Series Stainless Steel
17	Lock Washer	1	300 Series Stainless Steel
18	Handle Nut (1/4" - 2")	1	300 Series Stainless Steel
19	Body Bolts	4/8	304 Stainless Steel
20	Nuts	4/8	300 Series Stainless Steel
21	Stop Pin (1/2")*	1	300 Series Stainless Steel
		2	300 Series Stainless Steel

2 1/2" Parts & Materials



No.	Part Name	Qty	Material
1	Body	1	316L Stainless Steel ASTM A351 CF3M
2	Pipe Ends	2	316L Stainless Steel ASTM A351 CF3M
3	Ball	1	316L Stainless Steel
4	Seat	2	TFM®, PTFE/RTFE/Cavity Filler PTFE
5	Body Seal	2/3	PTFE, TFM®
6	Thrust Bearing	2	TFM®
7	Stem	1	316L Stainless Steel
8	Stem Seal	3	TFM®
9	Gland	1	300 Series Stainless Steel
10	Stopper	1	300 Series Stainless Steel
11	Belleville Washer	4	300 Series Stainless Steel
12	Packing Nut	1	300 Series Stainless Steel
13	Lock Tab	1	300 Series Stainless Steel
14	Wrench Block	1	300 Series Stainless Steel
15	Handle Bolt	1	300 Series Stainless Steel
16	Stop Pin	1	300 Series Stainless Steel
17	Body Bolts	4/8	304 Stainless Steel
18	Body Nuts	4/8	300 Series Stainless Steel
19	Handle	1	300 Series Stainless Steel
20	Gland Washer	1	300 Series Stainless Steel
21	Screw	2	304 Stainless Steel
22	Lower Stopper	1	316 Stainless Steel

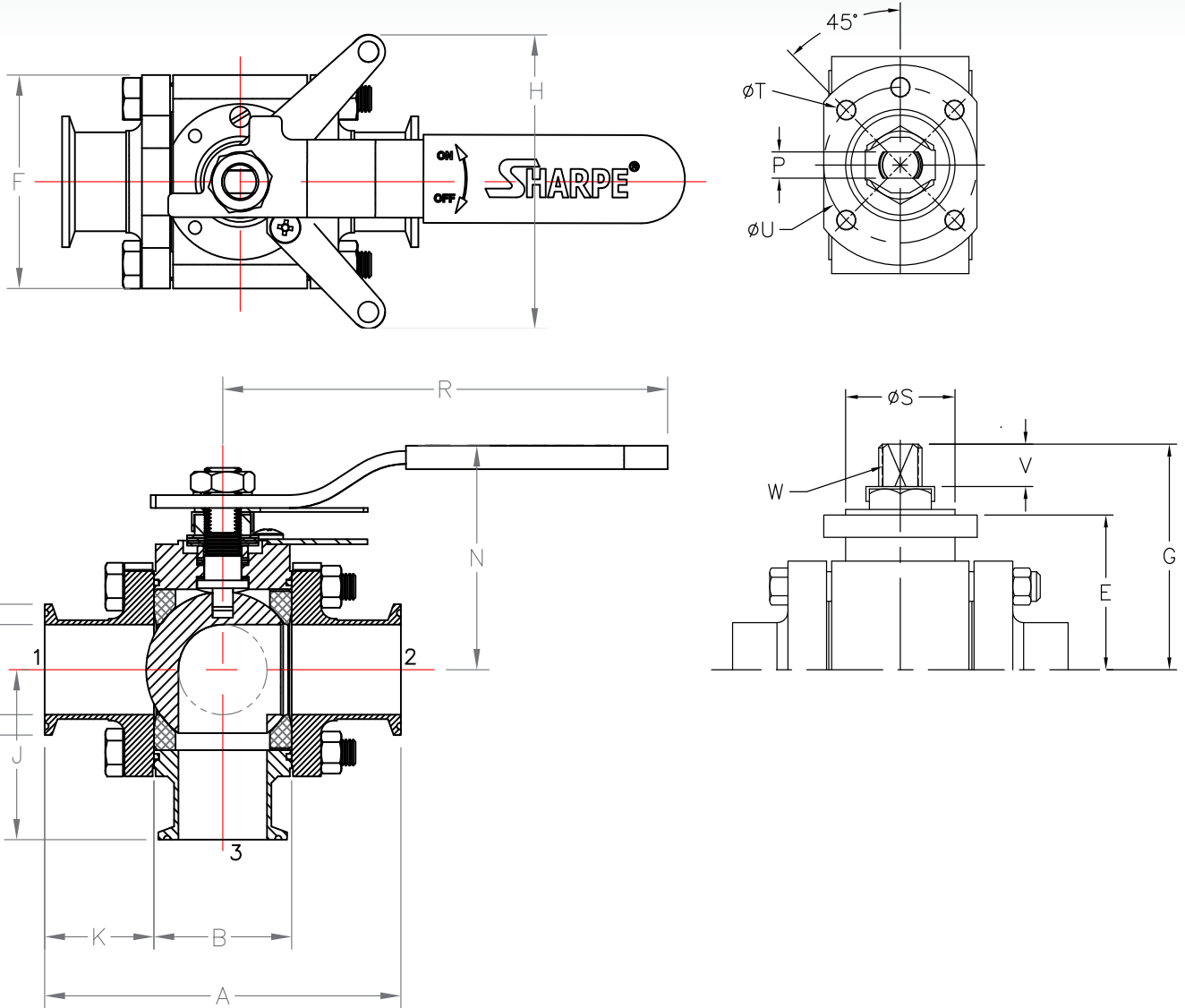
3"- 4" Parts & Materials



No.	Part Name	Qty	Material
1	Body	1	316L Stainless Steel ASTM A351 CF3M
2	Pipe Ends	2	316L Stainless Steel ASTM A351 CF3M
3	Ball	1	316L Stainless Steel
4	Stem	1	316L Stainless Steel
5	Seat	2	TFM®, PTFE/RTFE/Cavity Filler PTFE
6	Body Seal	2/3	PTFE, TFM®
7	Thrust Bearing	1	TFM®
7A	Stem Location Ring	1	300 Series Stainless Steel
8	Thrust Bearing	1	TFM®
9	Stem Packing	3	TFM®

No.	Part Name	Qty	Material
10	Gland	1	300 Series Stainless Steel
11	Belleville Washer	4	300 Series Stainless Steel
12	Packing Nut	1	300 Series Stainless Steel
13	Lock Tab	1	300 Series Stainless Steel
14	Handle	1	300 Series Stainless Steel
15	Wrench Block	1	300 Series Stainless Steel
16	Hex Head Bolt	1	300 Series Stainless Steel
17	Body Bolts	16/24	304 Stainless Steel
18	Stop Pin	1	300 Series Stainless Steel
19	Seat Retainer	1	300 Series Stainless Steel
20	Stopper	1	300 Series Stainless Steel

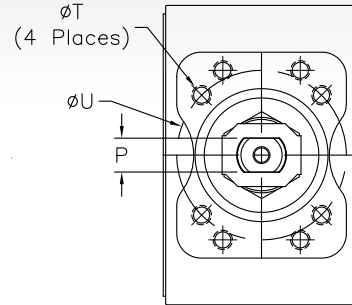
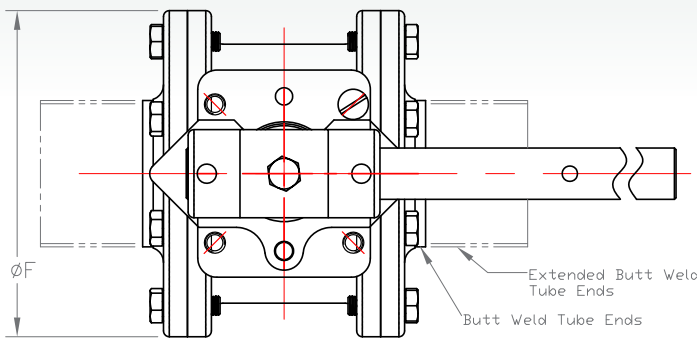
Dimensions 1/2" - 2



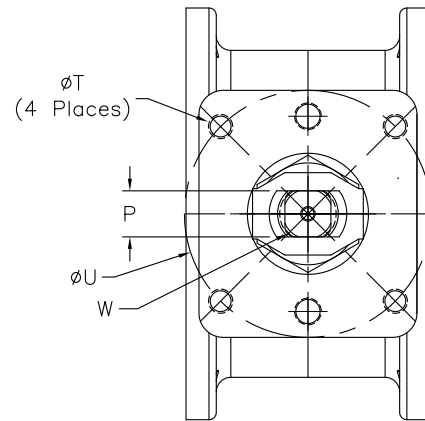
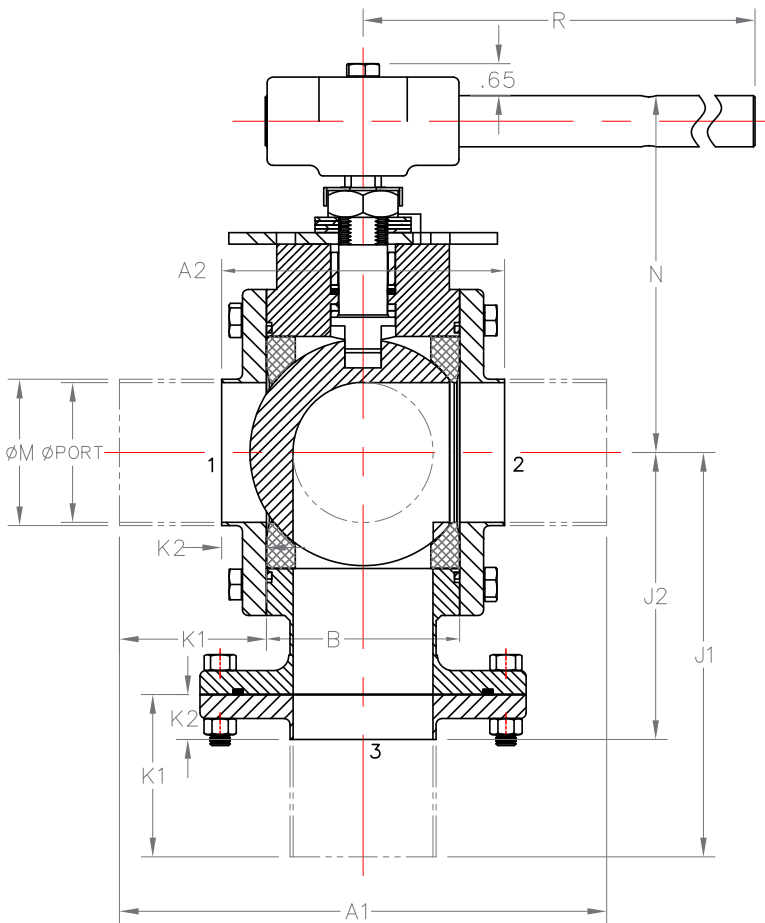
Size	Port	A	A1	A2	B	C	E	F	G	H	J	J1	J2	K	K1	K2	M	N	P	R	S	T	U	V	W
1/2	0.370	3.50	5.50	2.51	0.97	0.99	1.10	1.75	1.55	-	1.89	4.15	2.65	1.26	2.27	0.77	0.50	2.14	0.220	4.50	0.98	M5 x .8	1.42 (F03)	0.45	3/8-24
3/4	0.618	4.00	6.00	3.03	1.05	0.99	1.16	2.05	1.62	2.18	1.97	4.32	2.84	1.47	2.47	0.99	0.75	2.20	0.220	4.50	0.98	M5 x .8	1.42 (F03)	0.39	3/8-24
1	0.870	4.50	6.50	3.54	1.54	1.98	1.62	2.42	2.31	3.30	2.15	4.56	3.08	1.47	2.48	1.00	1.00	2.59	0.295	5.75	1.18	M5 x .8	1.65 (F04)	0.65	7/16-20
1-1/2	1.366	5.50	7.50	4.51	2.13	1.98	1.90	3.16	3.07	4.08	2.80	5.45	3.95	1.69	2.69	1.19	1.50	3.18	0.343	7.00	1.38	M6 x 1.0	1.97 (F05)	0.63	7/16-20
2	1.870	6.25	8.00	5.29	2.65	2.52	2.23	3.56	3.42	4.08	2.90	5.91	4.54	1.80	2.69	1.32	2.00	3.52	0.343	7.00	1.38	M6 x 1.0	1.97 (F05)	0.67	9/16-20

The dimensions above are for information only. Please refer to Sharpe® Valves if you need dimensions for construction.

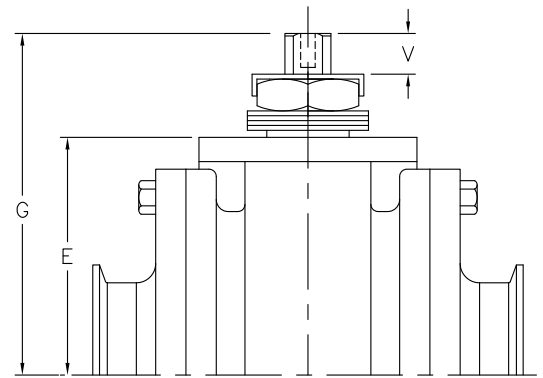
Dimensions 2 1/2" - 4



SIZE 2 1/2"



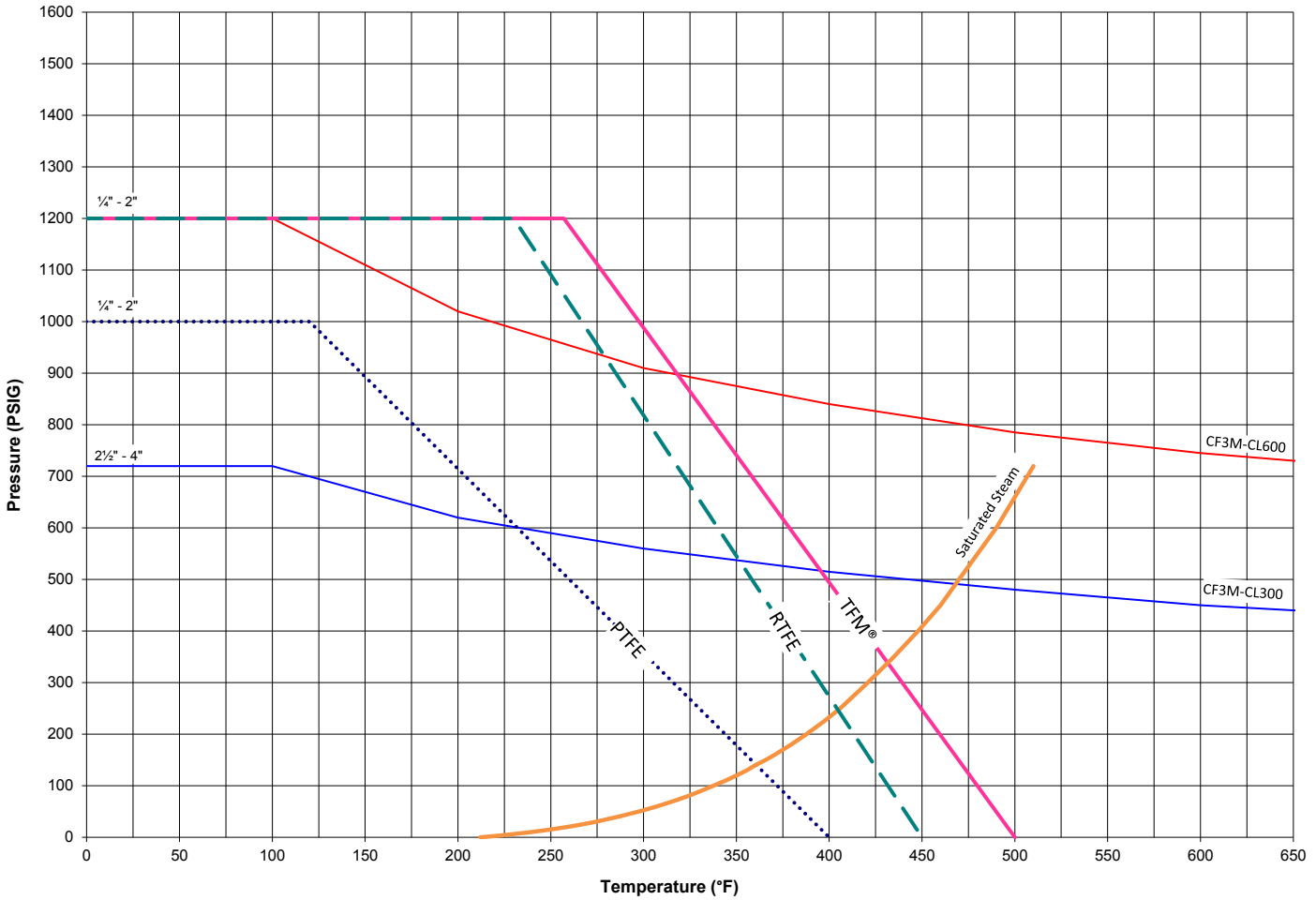
SIZE 3" & 4"



Size	Port	A	A1	A2	B	C	E	F	G	J	J1	J2	K	K1	K2	M	N	P	R	S	T	U	V	W
2-1/2	2.370	6.75	10.00	5.77	3.19	3.05	3.25	4.57	4.85	3.45	6.34	4.94	1.77	2.69	1.29	2.50	5.73	0.551	8.74	2.16	M8 x 1.25	2.75 (F07)	0.44	M20 x 2.5
3	2.870	6.75	10.62	5.80	3.96	3.58	4.28	6.44	6.02	5.00	8.30	5.89	1.39	3.33	0.92	3.00	7.04	0.748	13.74	-	M10 x 1.5	4.01 (F10)	0.75	1-14 UNS
4	3.831	8.25	11.39	7.07	4.73	4.68	4.81	8.12	6.61	5.00	9.50	7.34	1.76	3.33	1.17	4.00	7.57	0.748	13.74	-	M10 x 1.5	4.01 (F10)	0.89	1-14 UNS

The dimensions above are for information only. Please refer to Sharpe® Valves if you need dimensions for construction.

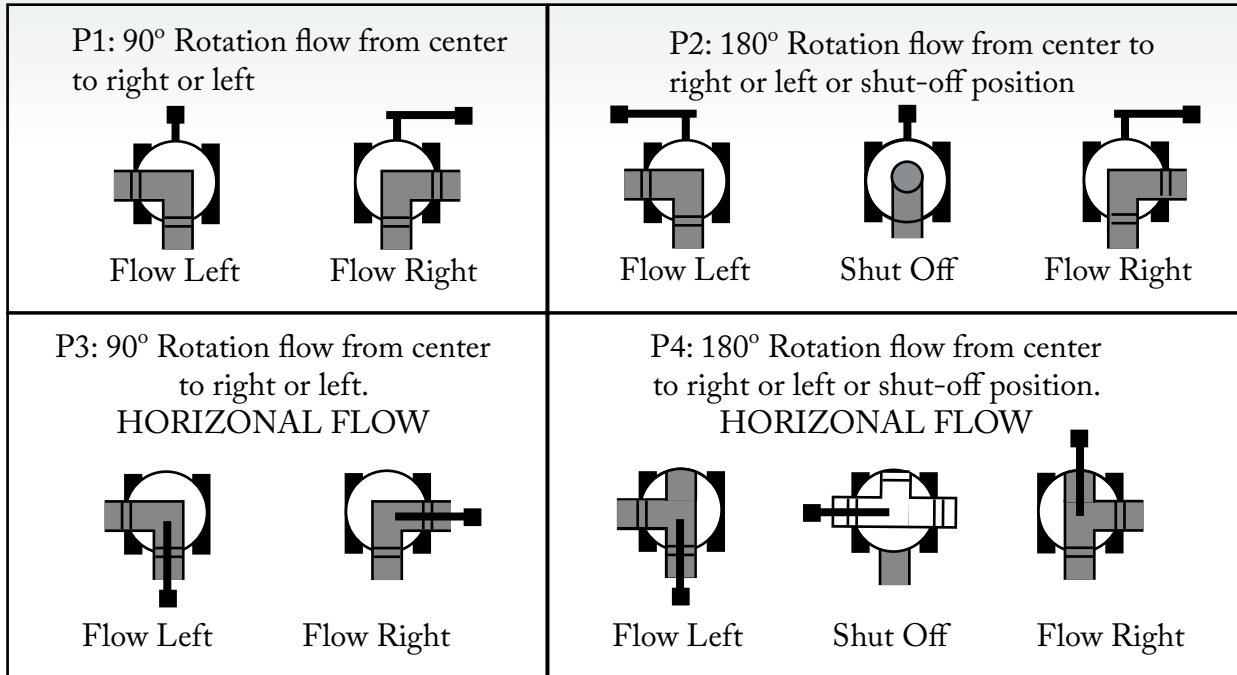
Pressure-Temperature Ratings Series D88



* Ratings are for the valve body, specific ends may cause the ratings to change.

Size	C _v
1/2	3.2
3/4	5
1	10
1-1/2	24
2	36
2-1/2	60
3	130
4	240

Flow Pattern



The Series D88 Valves are not to be used as an isolation valve.

How to Order

Size	Series	Body & Ends	Ball & Stem	Seat	Seal	Ends (Side)	Flow Plan	Flow Plan	Options
1/2	D88	6 316L Stainless Steel	6 316L Stainless Steel	R RTFE	T PTFE	CE Clamp	P1 See chart above	1 240 Grit	PP Purge Port*
3/4				T PTFE	M TFM®	XBTE Butt-weld Tube Extended	P2 See chart above	2 320 Grit*	
1				M TFM®	BW Butt-weld Tube Short	P3 See chart above	3 240 Grit EP*		
1-1/2				C Cavity filler - PTFE	P4 See chart above	4 320 Grit EP*			
2									
2-1/2									
3									
4									

*POA

TFM® is a registered trademark of Dyleon, LLC

Due to continuous development of our product range, we reserve the right to change the dimensions and information for this product as required.



SMITH-COOPER®
INTERNATIONAL

Toll Free 877-774-2773 Fax 708-562-9250

www.smithcooper.com • www.sharpevalves.com

Los Angeles, CA • Chicago, IL • Atlanta, GA • Vancouver, WA

