

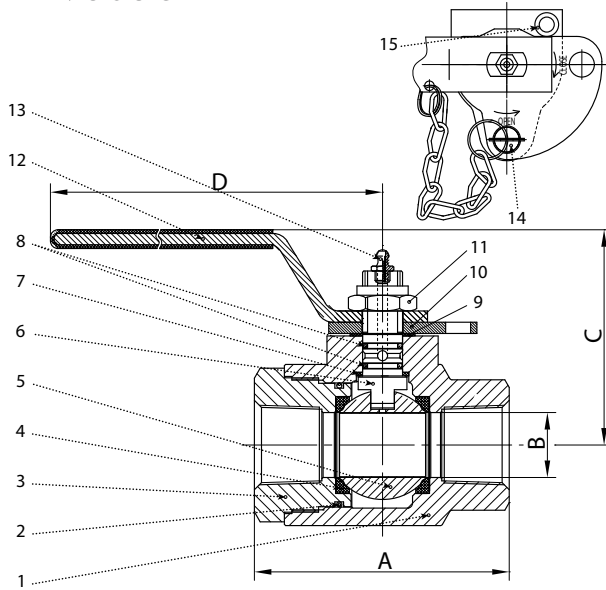


Valves, Automation & Controls

Fig. OP50DB6RV
OIL PATCH DUCTILE IRON
BALL VALVE

Design Features

- Ductile Iron Body
- 2000 psi
- Full Port
- RPTFE Seats
- Nace MR-01-75-2009 Compliant
- Heavy Duty Locking Device
- Blow-out Proof Stem
- Double O-Ring Stem Seal
- Grease Fitting for Constant Lubrication and Protection Against Corrosion and Moisture

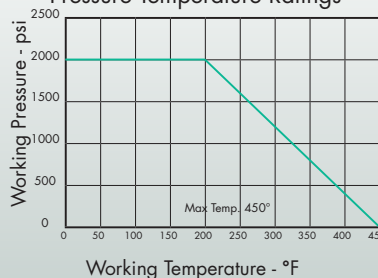


No.	Part	Material
1	Body	Ductile Iron
2	Body Seal	Viton
3	Bonnet	Ductile Iron
4	Seat	RPTFE
5	Ball	AISI 420 Stainless Steel
6	Stem	AISI 420 Stainless Steel
7	Thrust Washer	PTFE
8	Stem Seal	Viton
9	Thrust Washer	PTFE
10	Locating Plate	Steel
11	Stem Nut	Steel
12	Handle	Carbon Steel
13	Grease Zerk	SS201
14	Pin with Chain	Copper & Steel
15	Stop Bolt	Steel

Size IN	Part Number	Weight LB	A IN	B IN	C IN	D IN
3/4	SVOP50DB6RV006	4.0	3.78	0.79	3.31	6.65
1	SVOP50DB6RV010	4.3	4.00	1.00	3.39	6.65
1-1/2	SVOP50DB6RV014	12.3	5.51	1.50	5.59	8.54
2	SVOP50DB6RV020	18.0	6.02	2.00	5.86	10.00
2-1/2	SVOP50DB6RV024	29.0	7.00	2.56	6.30	15.00
3	SVOP50DB6RV030	42.3	8.74	3.00	6.22	15.00
4	SVOP50DB6RV040	67.6	9.40	3.94	6.77	29.53

Technical Information

Pressure Temperature Ratings



USA 800-766-0076

Fax 323-890-4456

www.smithcooper.com

www.sharpevalves.com

Los Angeles, CA

Chicago, IL

Atlanta, GA

Vancouver, WA

Houston, TX