



Valves, Automation & Controls

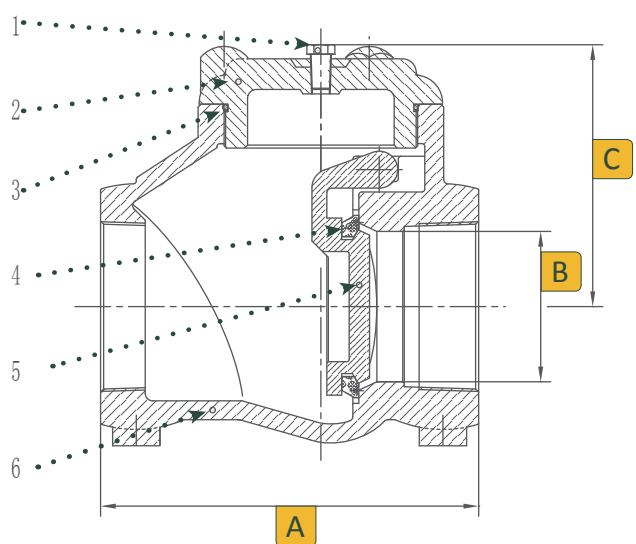
Fig. OP20CC6VV OIL PATCH CARBON STEEL SWING CHECK VALVE

Design Features

- Carbon Steel Body
- 720, 1440, 2160, 3000 psi
- NACE MR-01-75-2009 Compliant
- 316 Stainless Steel, One-Piece Hanger and Disc
- Full Flow When Open
- Top Entry Swing Check



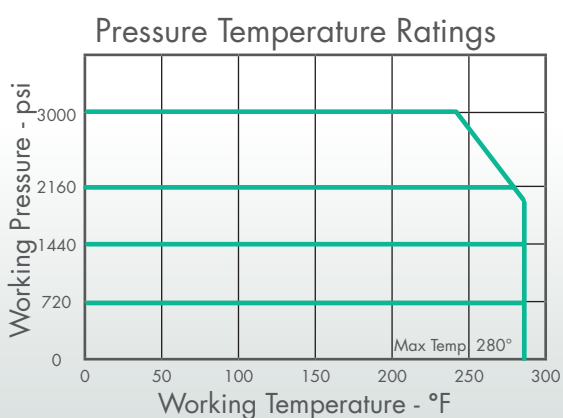
Dimensions & Materials



No.	Part	Qty	Material
1	Bonnet Plug	1	Carbon Steel
2	Bonnet	1	WCB
3	O-Ring	1	Viton
4	Seat	1	Viton
5	Disc	1	316 Stainless Steel
6	Body	1	WCB

Size	Weight	A	B	C
1	6.5	4.25	1.00	3.34
2	12.0	6.30	2.00	4.04
3	34.0	8.75	3.00	5.26

Technical Information & How to Order



Size	Part Number	Pressure Rating psi
1	SVOP20CC6VV010	720
2	SVOP20CC6VV020	1440
3	SVOP20CC6VV030	2160 3000

Ordering: Part Number - Pressure Rating
 Example: SVOP20CC6VV020 - 1440
 Description: 2" - Carbon Steel Swing Check - 1440 psi

USA 800-766-0076
 Fax 323-890-4456
 www.smithcooper.com
 www.sharpevalves.com
 Los Angeles, CA
 Chicago, IL
 Atlanta, GA
 Vancouver, WA
 Houston, TX