



Valves, Automation & Controls

Series 13 DIR-ACT™  
DIRECT MOUNT  
3-PIECE BALL VALVE

**Design Features**

- Full Port
- 1000 CWP (1/4" - 2"), 600 CWP (2-1/2" - 4"), 150 WSP
- 316 Stainless Steel ASTM A351 CF8M
- Carbon Steel ASTM A216 WCB Threaded and Socket Weld Ends, Stainless Steel ASTM A351 CF8M Threaded, Socket Weld and Schedule 10 or 40 Butt Weld Ends
- Direct Mount Pad Eliminates Need for Brackets and Couplings\*
- Low Profile, Space Saving Design
- Live Loaded, Blow-Out Proof Stem
- Patented System Allows Adjustment of Stem Packing Nut With Actuator In Place (U.S. Patent No. 6,446,935 B1)
- Lockable, Reversible, Lever Handle

**Applicable Standards**

- Mounting Dimensions ISO 5211
- Socket Weld & Threaded Ends ASME B16.11
- Butt-Weld Ends ASME B16.25
- Shell and Seat Pressure Test ASME B16.34

**Options**

- 4X4 Pneumatic Four Piston Actuator
- SPN II Pneumatic Two Piston Actuator
- SEA Electric Actuator
- Solenoids
- Limit Switches



USA 800-766-0076

Fax 323-890-4456

www.smithcooper.com

www.sharpevalves.com

Los Angeles, CA

Chicago, IL

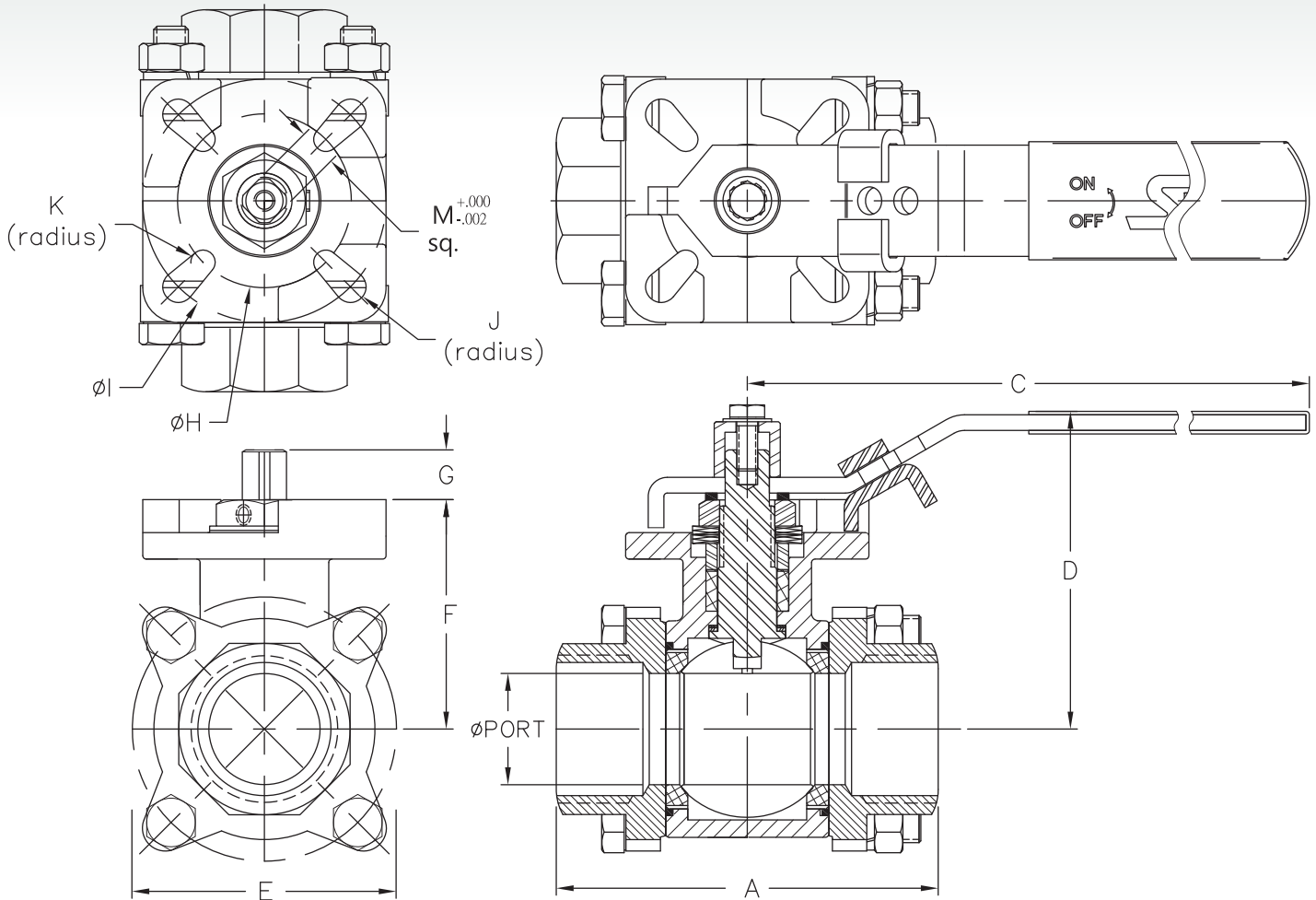
Atlanta, GA

Vancouver, WA

Houston, TX

\*Mounting Bracket Must be Used for High Temperature (>180° F) and Steam Applications

## Dimensions



Dimensions (Inches)

Size	PORT	A	C	D	E	F	G	øH	øI	J	K	M
1/4	0.46	2.65	4.92	2.65	1.97	1.50	0.31	F03 (1.42)*	F05 (1.97)	0.130	0.110	0.350
3/8	0.50	2.65	4.92	2.65	1.97	1.50	0.31	F03 (1.42)*	F05 (1.97)	0.130	0.110	0.350
1/2	0.59	2.83	4.92	2.65	1.97	1.50	0.31	F03 (1.42)*	F05 (1.97)	0.130	0.110	0.350
3/4	0.79	3.35	4.92	2.89	1.97	1.85	0.40	F04 (1.65)	F05 (1.97)	0.118	0.118	0.350
1	1.00	3.62	7.48	3.19	2.76	2.20	0.44	F05 (1.97)	F07 (2.76)	0.177	0.138	0.350
1-1/4	1.26	4.33	7.48	3.58	2.76	2.60	0.60	F05 (1.97)	F07 (2.76)	0.177	0.138	0.430
1-1/2	1.50	4.83	7.48	3.80	2.76	2.81	0.54	F05 (1.97)	F07 (2.76)	0.177	0.138	0.430
2	2.00	5.58	7.48	4.15	2.76	3.17	0.54	F05 (1.97)	F07 (2.76)	0.177	0.138	0.430
2-1/2	2.56	6.84	9.84	5.99	4.02	3.84	0.79	F07 (2.76)**	F10 (4.02)	0.216	0.177	0.665
3	2.95	7.57	9.84	6.42	4.02	4.25	0.79	F07 (2.76)**	F10 (4.02)	0.216	0.177	0.665
4	3.94	10.78	14.96	7.05	4.92	4.86	1.00	F10 (4.02)	F12 (4.92)	0.256	0.216	0.665

\* Slotted bolt holes will accept F03, F04 and F05

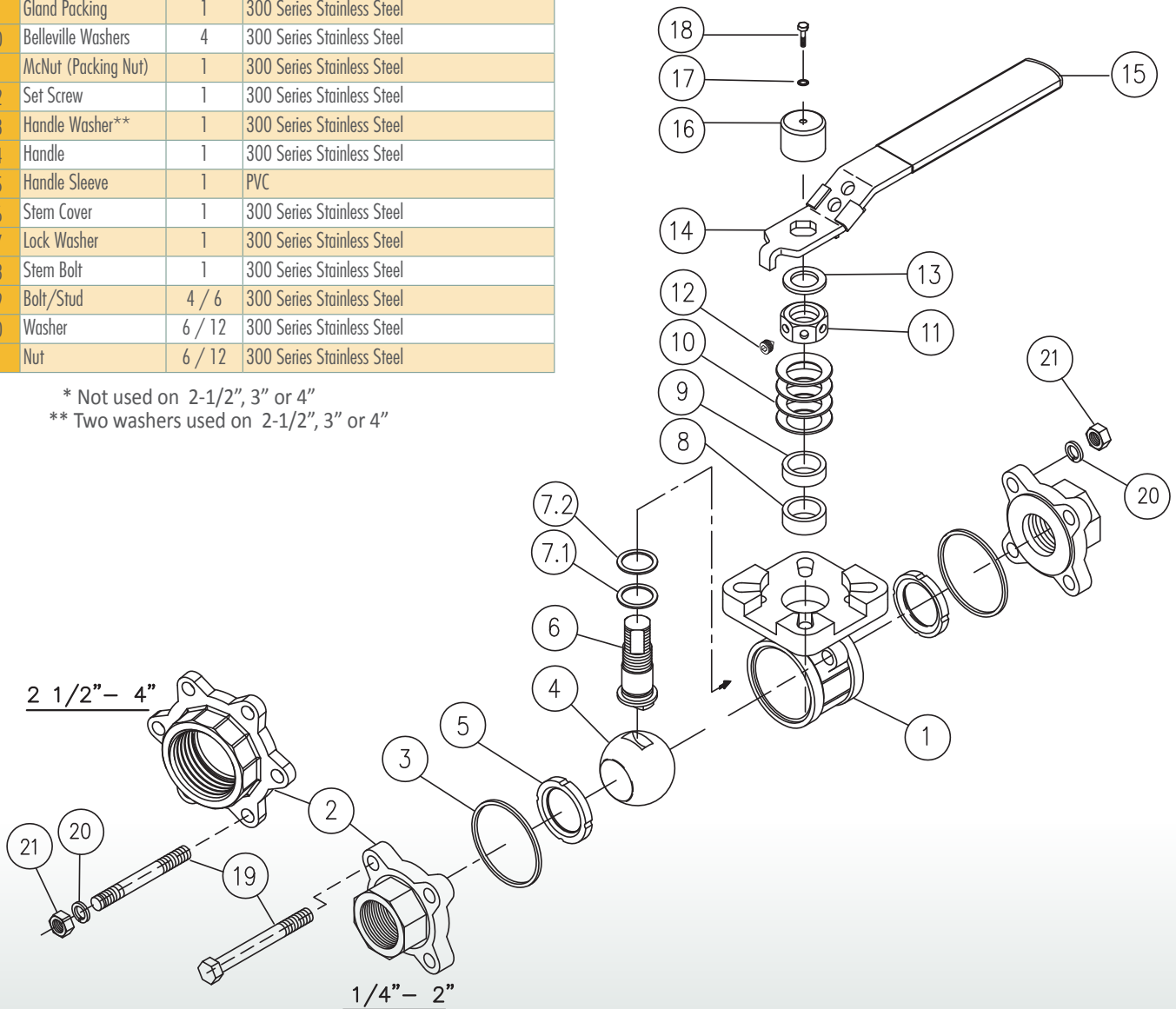
\*\* F07 size only for use with a bracket.

The dimensions above are for informational purposes only. Please refer to Sharpe Valves if you need dimensions for construction.

## Parts & Materials

No.	Part Name	Qty	Material
1	Body	1	316 Stainless Steel ASTM A351 CF8M
2	End Pieces	2	Carbon Steel ASTM A216 WCB or 316 Stainless Steel ASTM A351 CF8M
3	Body Seal	2	PTFE
4	Ball	1	316 Stainless Steel
5	Seat	2	TFM or RTFE
6	Stem	1	17-4PH: 1/4" - 2" 316 Stainless Steel: 2-1/2" - 4"
7.1	Thrust Bearing	1	PEEK
7.2	Thrust Bearing*	1	Nova
8	Stem Packing	1	RTFE
9	Gland Packing	1	300 Series Stainless Steel
10	Belleville Washers	4	300 Series Stainless Steel
11	McNut (Packing Nut)	1	300 Series Stainless Steel
12	Set Screw	1	300 Series Stainless Steel
13	Handle Washer**	1	300 Series Stainless Steel
14	Handle	1	300 Series Stainless Steel
15	Handle Sleeve	1	PVC
16	Stem Cover	1	300 Series Stainless Steel
17	Lock Washer	1	300 Series Stainless Steel
18	Stem Bolt	1	300 Series Stainless Steel
19	Bolt/Stud	4 / 6	300 Series Stainless Steel
20	Washer	6 / 12	300 Series Stainless Steel
21	Nut	6 / 12	300 Series Stainless Steel

\* Not used on 2-1/2", 3" or 4"  
\*\* Two washers used on 2-1/2", 3" or 4"



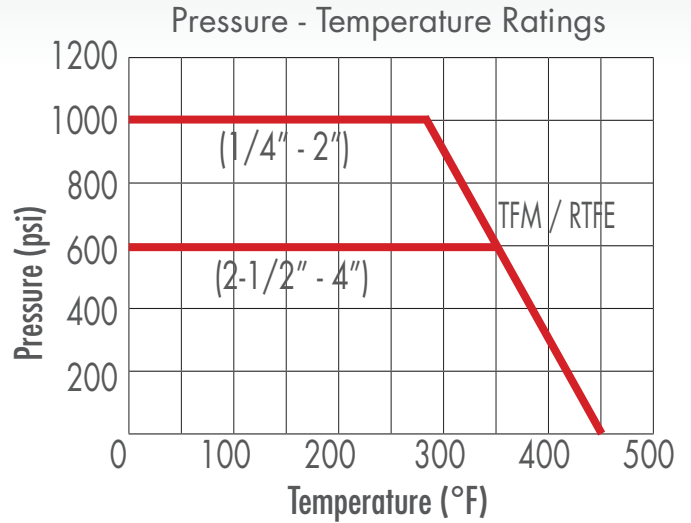


Valves, Automation & Controls

# Series 13 DIR-ACT™ DIRECT MOUNT 3-PIECE BALL VALVE

## Technical Information

Size	C <sub>v</sub>	Break Away* Torque (in-lbf)	Weight (lbs.)
1/4	6	40	1.4
3/8	6	40	1.4
1/2	24	40	1.4
3/4	35	80	2.0
1	47	110	3.4
1-1/4	81	160	5.4
1-1/2	105	190	7.2
2	240	250	11
2-1/2	320	500	20
3	580	720	32
4	970	800	51



\*Based on clean non-lubricating fluid at listed pressures and ambient temperature. Call Sharpe Valves for assistance for other conditions.

## How to Order

Size	Series	Body Ball & Stem		Ends		Seat			
				Material	Connection				
1/4	13	6	316 Stainless Steel	4	Carbon Steel	TE	Threaded Socket Weld	M	TFM RTFE
3/8									
1/2									
3/4									
1									
1-1/4				6	316 Stainless Steel	TE	Threaded Socket Weld		
1-1/2									
2									
2-1/2									
3									
4			BW	Butt-weld (Sch 40)					
			BW10	Butt-weld (Sch 10*)					

Example: 1/4 = 13 = 6 = 6 = TE = M = 1/4"-13-6-6-TE-M

\*Price on Application

Due to continuous development of our product range, we reserve the right to change the dimensions and information for this product as required.