



Valves, Automation & Controls

SERIES 76



***HIGH PERFORMANCE
3 WAY BALL VALVE***

SMITH-COOPER[®]
INTERNATIONAL

Design & Features

Body Material

316 Stainless Steel

4 Seat Design

3 way Series 76 valves utilize four seats to securely support the ball.

Flow Plans

A variety of flow plans are available in both “T” and “L” port configurations.

Stem Design

Live-loaded, bottom entry, blowout proof stem featuring packing that extends valve cycle life over conventional ball valves and is best choice for actuation.

Stem seals are live-loaded using Belleville springs to provide consistent sealing forces, reducing or eliminating the need for frequent seal adjustment.

ISO 5211 Integral Direct Mount Mounting Pad

Direct mount pad eliminates need for brackets and couplers*.

Ideal for actuation.

Actuators may be retrofitted on existing Sharpe® Series 76 without disruption of line integrity.

Allows for secondary containment unit to be added when necessary.

End Connections

Threaded and Socket Weld end connections are available.

Lockable Handle

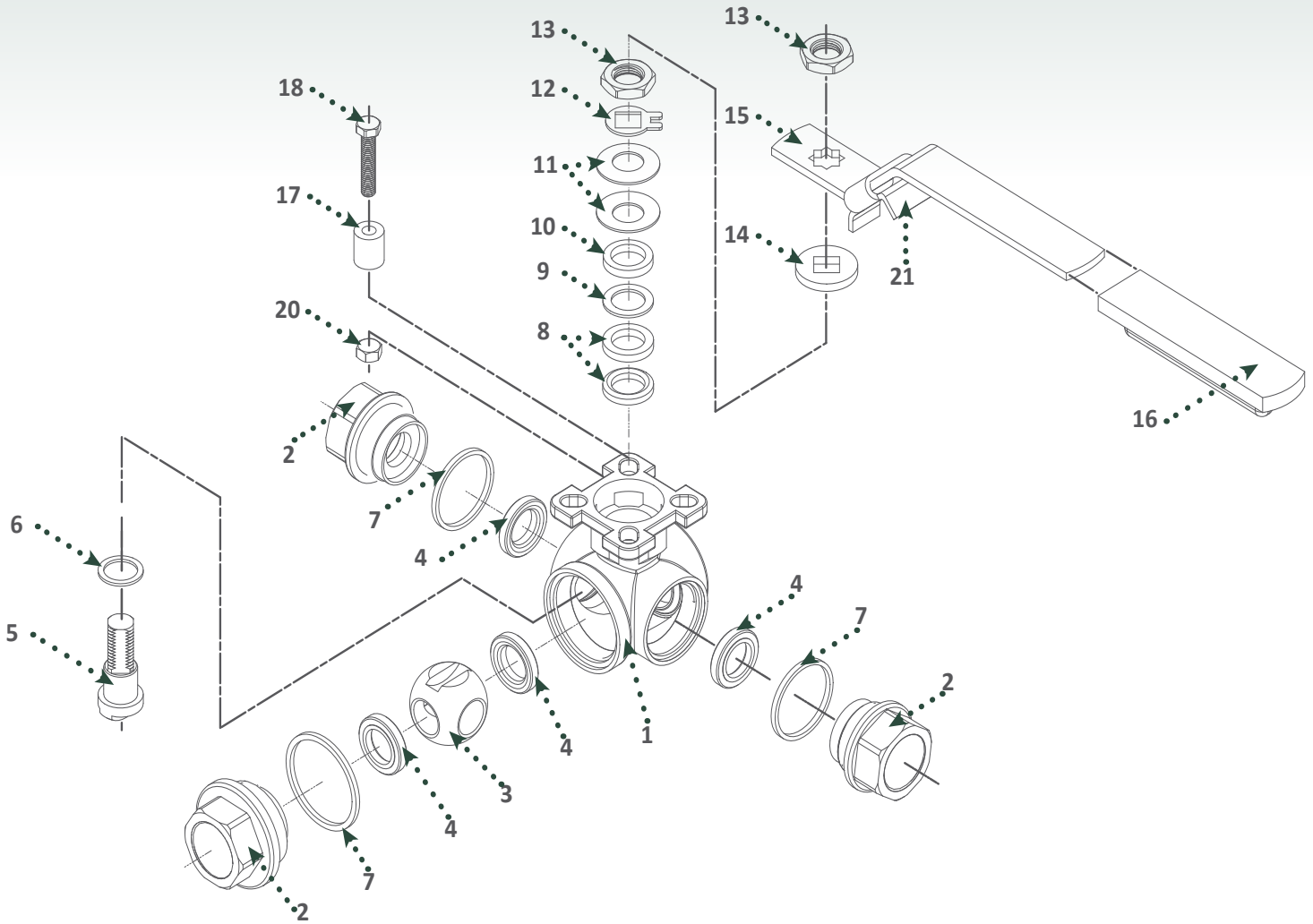
All Sharpe® Series 76 valves are supplied with lockable lever handles.

Traceability

Body and end piece castings are marked with heat codes providing traceability to the chemical analysis and material test reports performed at the foundry. CMTR's (Certified Material Test Reports) are available upon request.

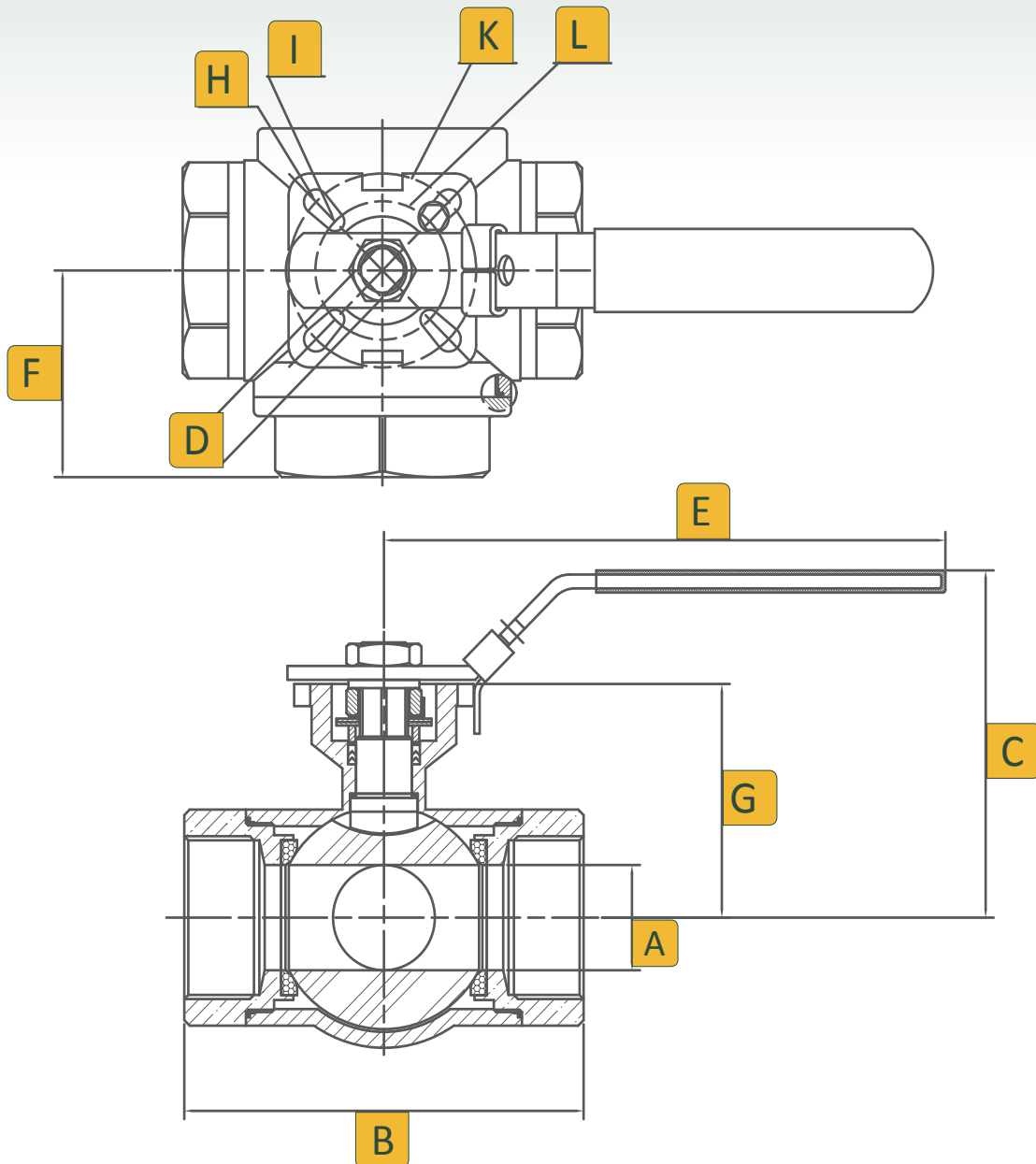
*Mounting bracket must be used for high temperature (>180° F) and steam applications.

Parts & Materials



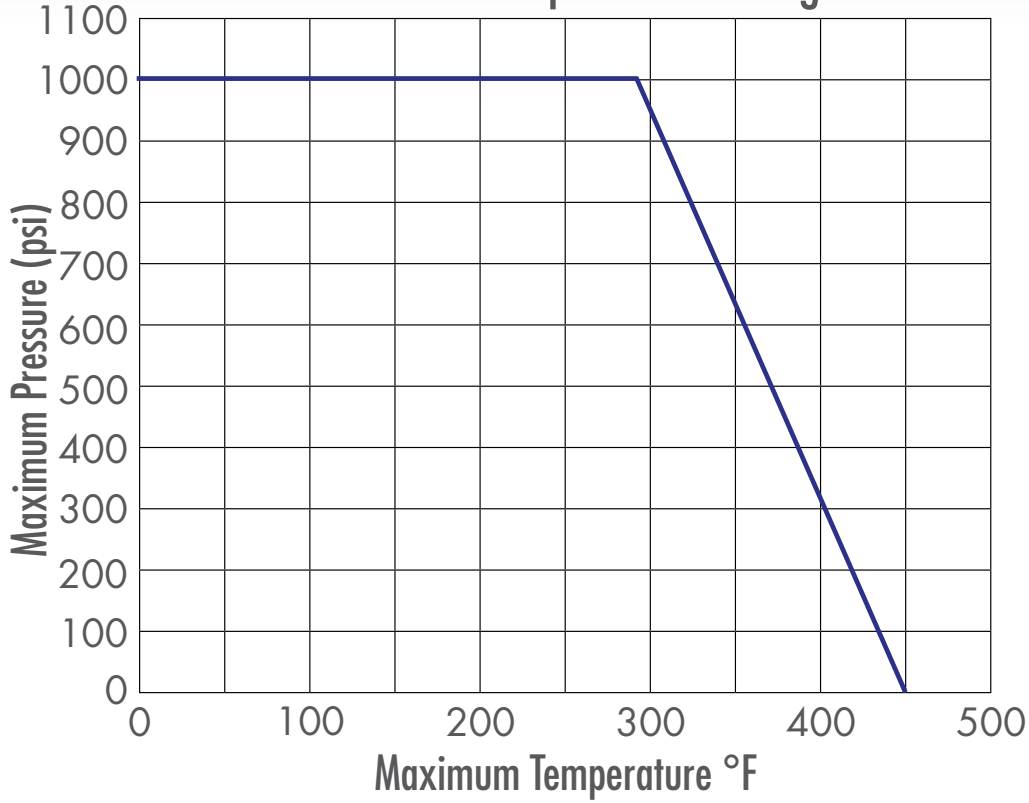
No.	Part Name	Qty	Material
1	Body	1	316 Stainless Steel ASTM A351 CF8M
2	Ends	3	316 Stainless Steel ASTM A351 CF8M
3	Ball	1	316 Stainless Steel
4	Seat	4	TFM®
5	Stem	1	316 Stainless Steel
6	Thrust Washer	1	PTFE
7	End Seals	3	PTFE
8	Stem Packing	2	PTFE
9	Thrust Washer	1	TFM®
10	Gland	1	300 Series Stainless Steel
11	Belleville Washer	2	300 Series Stainless Steel
12	Lock Tab	1	300 Series Stainless Steel
13	Handle Nut	2	300 Series Stainless Steel
14	Washer	1	300 Series Stainless Steel
15	Handle	1	300 Series Stainless Steel
16	Handle Sleeve	1	Vinyl Grip
17	Stopper	1	300 Series Stainless Steel
18	Stopper Sleeve	1	300 Series Stainless Steel
19	Stopper Nut	1	300 Series Stainless Steel
20	Locking Device	1	300 Series Stainless Steel

Dimensions

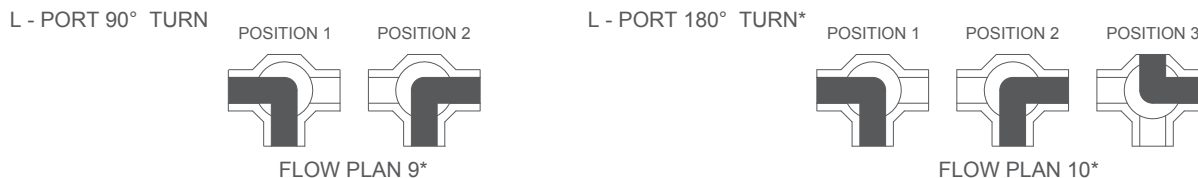
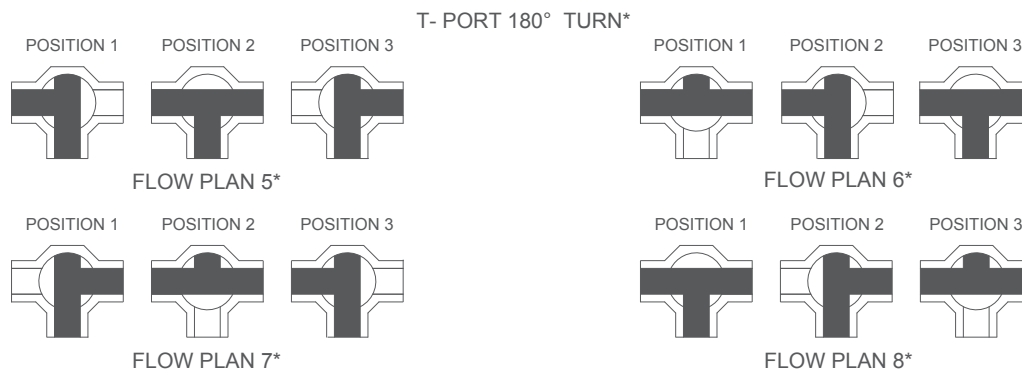
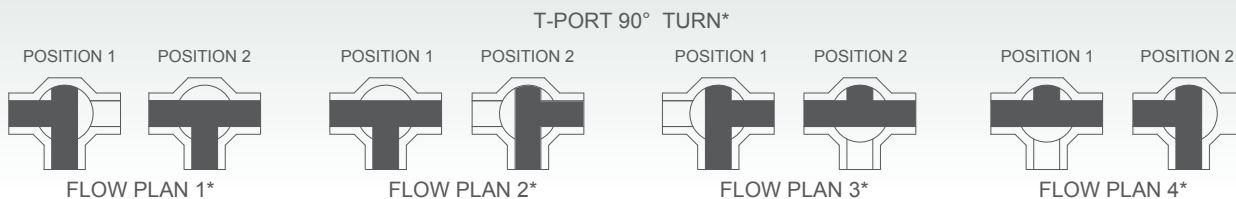


Dimensions (Inches)

Size	A	B	C	D	E	F	G	I	H	J	K	L
1/4	0.43	2.98	2.56	0.35	5.20	1.51	1.45	0.24	0.24	0.32	F04	F03
3/8	0.43	2.98	2.56	0.35	5.20	1.51	1.45	0.24	0.24	0.32	F04	F03
1/2	0.49	2.98	2.56	0.35	5.20	1.51	1.45	0.24	0.24	0.32	F04	F03
3/4	0.63	3.41	2.82	0.35	5.20	1.76	1.74	0.24	0.24	0.35	F04	F03
1	0.79	4.06	3.71	0.43	7.09	2.00	2.17	0.24	0.28	0.45	F05	F04
1-1/4	0.98	4.65	3.94	0.43	7.09	2.27	2.39	0.24	0.28	0.45	F05	F04
1-1/2	1.26	4.95	4.56	0.55	8.86	2.46	2.96	0.28	0.35	0.59	F07	F05
2	1.50	5.87	4.92	0.55	8.86	2.93	3.32	0.28	0.35	0.59	F07	F05

Technical Information
Pressure Temperature Rating


Size	CV T Port	CV L Port	Torque in/Lbs		Weight Lbs
			PTFE "T" Seat	TFM® "M" Seat	
1/4	5	3	35	40	1.65
3/8	6	3	35	40	1.65
1/2	8	4	35	40	1.65
3/4	13	7	70	73	2.65
1	22	12	82	100	3.97
1-1/4	35	20	182	183	5.51
1-1/2	59	34	235	241	7.94
2	88	51	495	501	12.79



*Not to be used as an isolation valve.

How to Order

Size	Series	Body & Ends	Ball & Stem	Seat	Seal	Ends	Flow Plan							
1/4	1	76	6	316 Stainless Steel	6	316 Stainless Steel	T	PTFE	T	PTFE	TE	Threaded	1	6
3/8	1-1/4						M	TFM® Seat			TE	Socket Weld	2	7
1/2	1-1/2												3	8
3/4	2												4	9
													5	10

TFM is a registered trademark of Dyneon, LLC

Due to continuous development of our product range, we reserve the right to change the dimensions and information for this product as required.



SMITH-COOPER®
INTERNATIONAL

Toll Free 877-774-2773 Fax 708-562-9250

www.smithcooper.com • www.sharpevalves.com

Los Angeles, CA • Chicago, IL • Atlanta, GA • Vancouver, WA

