



Valves, Automation & Controls

# 1-PIECE UNI-BODY BALL VALVE

## Design Features

- Reduced Port
- 800 CWP
- 316 Stainless Steel ASTM A351 CF8M
- Threaded End Connections
- Blow-Out Proof Stem
- Lockable Lever Handle



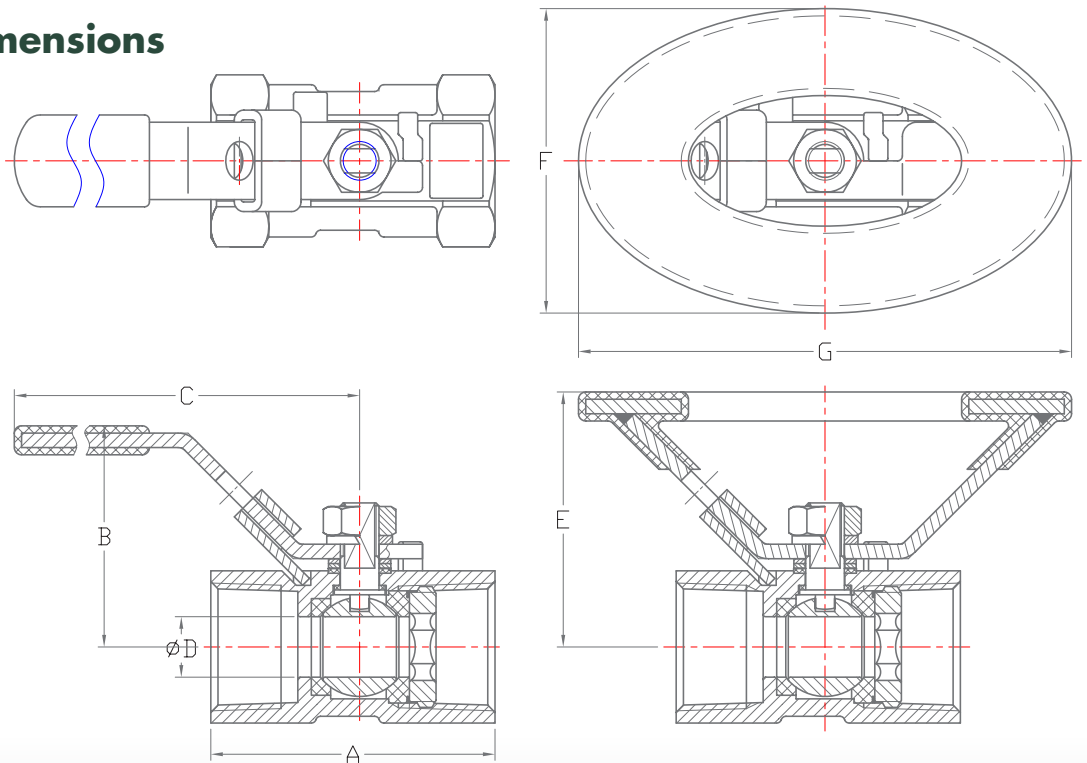
## Applicable Standards

- Threaded Ends ASME B16.11
- Shell and Seat Pressure Test ASME B16.34

## Options

- Lockable Oval Handle

## Dimensions



Dimensions (Inches)

Size	A	B	C	∅D	E	F	G
1/4	1.56	1.33	2.80	0.20	1.77	2.48	4.02
3/8	1.75	1.41	3.19	0.28	1.77	2.48	4.02
1/2	2.22	1.67	4.39	0.36	2.01	2.48	4.02
3/4	2.32	1.80	4.39	0.49	2.09	2.48	4.02
1	2.80	1.92	4.49	0.61	2.44	2.48	4.02
1-1/4	3.07	2.10	4.49	0.79	2.48	2.48	4.02
1-1/2	3.27	2.35	6.21	0.98	2.85	3.19	5.20
2	3.95	2.66	6.21	1.26	2.97	3.19	5.20

USA 800-766-0076

Fax 323-890-4456

www.smithcooper.com

www.sharpevalves.com

Los Angeles, CA

Chicago, IL

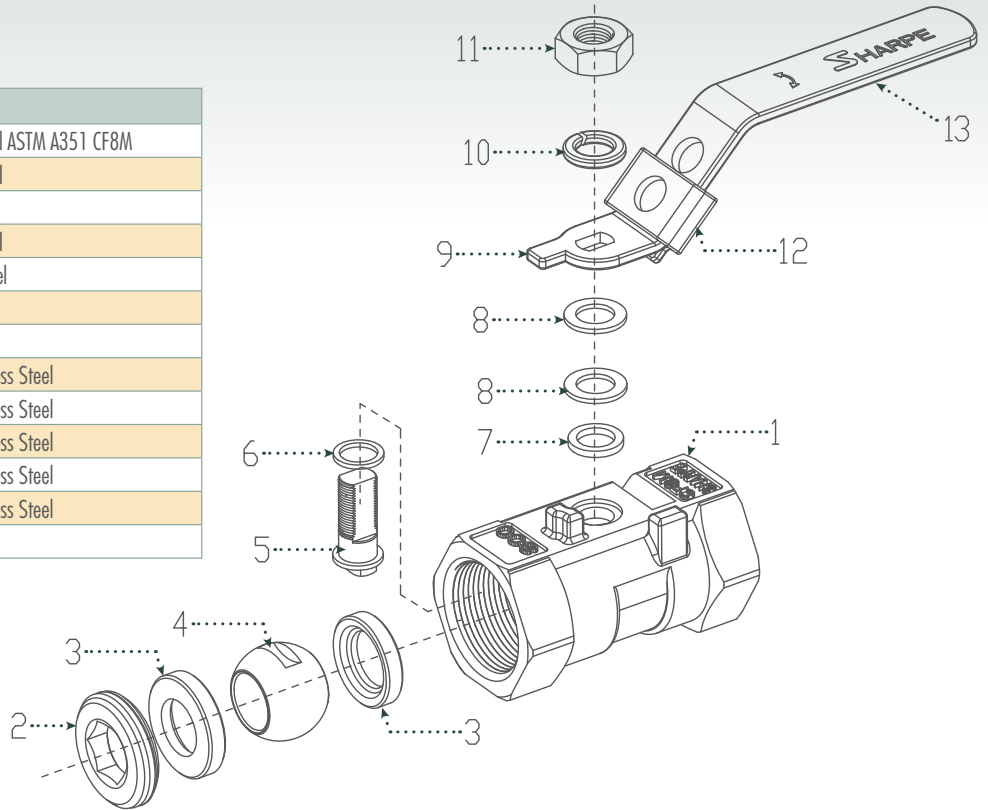
Atlanta, GA

Vancouver, WA

Houston, TX

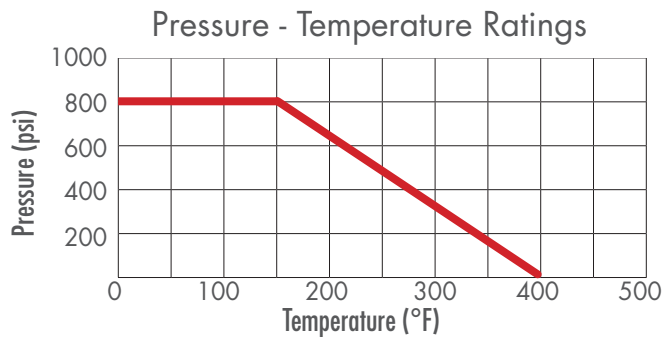
## Parts & Materials

No.	Part Name	Qty	Material
1	Body	1	316 Stainless Steel ASTM A351 CF8M
2	Seat Retainer	1	316 Stainless Steel
3	Seat	2	PTFE
4	Ball	1	316 Stainless Steel
5	Stem	1	316 Stainless Steel
6	Thrust Bearing	1	PTFE
7	Stem Packing	1	PTFE
8	Gland Packing	2	300 Series Stainless Steel
9	Handle	1	300 Series Stainless Steel
10	Lock Washer	1	300 Series Stainless Steel
11	Stem/Handle Nut	1	300 Series Stainless Steel
12	Locking Device	1	300 Series Stainless Steel
13	Handle Sleeve	1	PVC



## Technical Information

Size	C <sub>v</sub>	Weight (lbs.)
1/4	2	0.2
3/8	2.5	0.3
1/2	5	0.4
3/4	10	0.6
1	15	1.0
1-1/4	30	1.6
1-1/2	50	1.9
2	70	3.4



## How to Order

Size	Series	Options
1/4	58876	OH Oval Handle
3/8		
1/2		
3/4		
1		
1-1/4		
1-1/2		
2		

Example: 1/4 58876 = 1/4"-58876