

Series 45614

600# Flanged Cast Steel Globe Valve

Features

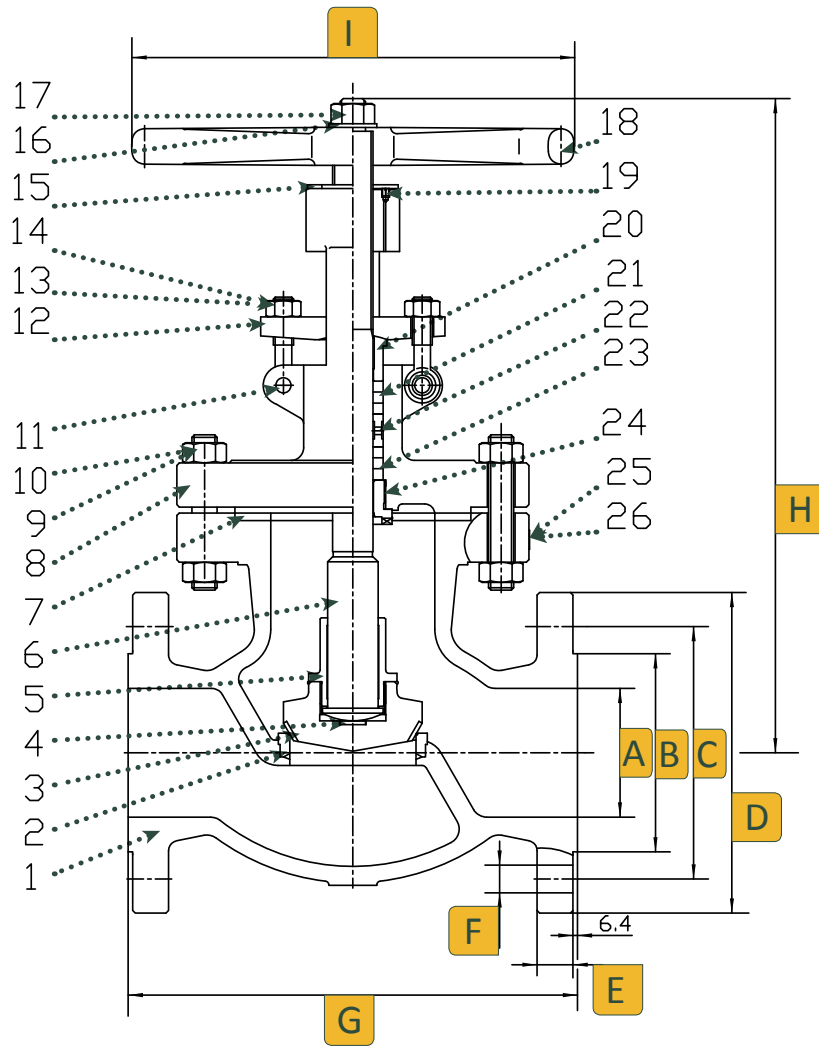
- Outside screw and yoke
- Bolted bonnet
- Stem / Wedge Connection meets API 600 Pull Test
- Welded Seat
- Yoke Integrated with Bonnet
- Loose Disc
- Renewable Seat Rings
- Rising stem and non-rising hand-wheel
- Flanged ends
- Butt-weld ends
- Applicable Standards:
 - Steel valves ANSI B16.34
 - Face to face ANSI B16.10
 - End flanges ANSI B16.5
 - Butt-weld ends ANSI B16.25
 - Inspection and test API 598



Valves, Automation & Controls



2" - 6" Dimensions, Parts & Materials



Dimensions (Inches)

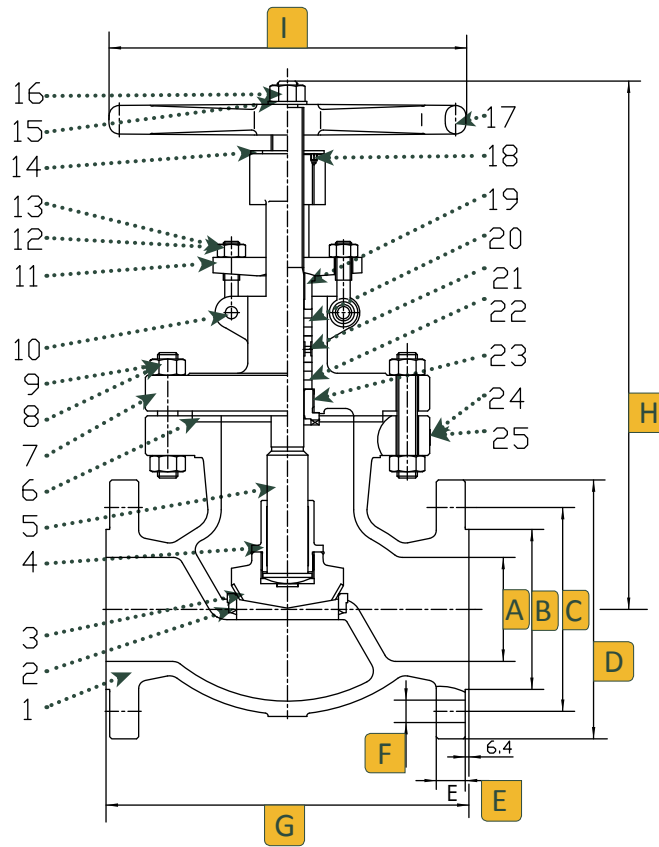
Size	A	B	C	D	E	F	G	H	I	Num of Bolt Holes
2	2.00	3.62	5.00	6.50	1.00	0.75	11.50	14.65	9.84	8
2-1/2	2.50	5.00	6.62	8.25	1.25	0.875	14.00	20.50	13.78	8
3	3.00	6.19	8.50	10.75	1.50	1.00	17.00	24.40	15.70	8
4	4.00	7.31	10.50	13.00	1.75	1.125	20.00	25.94	31.85	8
6	6.00	8.50	11.50	14.00	1.89	1.125	22.00	24.33	31.85	12

No.	Part Name	Material
1	Body	Carbon Steel ASTM A216 - WCB
2	Seat	A105 & STL6
3	Disc	A105 & 410 Stainless Steel
4	Thrust Plate	410 Stainless Steel
5	Disc Cover	410 Stainless Steel
6	Stem	A182 F6a
7	Gasket	304 Stainless Steel & Flexible Graphite
8	Bonnet	Carbon Steel ASTM A216 - WCB
9	Bolt	B7 Steel A193
10	Nut	2H Steel A194
11	Pin	Carbon Steel
12	Gland Flange	Carbon Steel
13	Eye Bolt	B7 Steel A193
14	Eye Nut	2H Steel A194
15	Stem Nut	D-2
16	Gasket	410 Stainless Steel
17	Nut	Carbon Steel
18	Hand-wheel	Ductile Iron
19	Screw	Carbon Steel
20	Gland	410 Stainless Steel
21	Packing	304 Stainless Steel & Graphite
22	Distance Ring	410 Stainless Steel
23	Packing	Flexible Graphite
24	Back Seat	410 Stainless Steel
25	Rivet	304 Stainless Steel
26	Name Plate	304 Stainless Steel

8" - 12" Dimensions, Parts & Materials

SHARPE - SERIES 45614 | 600# Flanged Cast Steel Globe Valve

Toll Free (877) 774-2773 | Local (708) 562-9221 | Fax (708) 562-0890 | www.sharpevalves.com



Size	A	B	C	D	E	F	G	H	I	Num of Bolt Holes
8	8.00	10.62	13.75	16.50	2.19	1.25	26.00	36.70	22.10	12
10	10.00	12.75	17.00	20.00	2.50	1.375	31.00	35.60	25.20	16
12	12.00	15.00	19.25	22.00	2.62	1.375	33.00	44.20	27.60	20

No.	Part Name	Qty	Material
1	Body	1	Carbon Steel ASTM A216 - WCB
2	Seat	1	A105 & STL6
3	Disc	1	A105 & 410 Stainless Steel
4	Disc Cover	1	410 Stainless Steel
5	Stem	1	A182 F6a
6	Gasket	1	304 Stainless Steel & Flexible Graphite
7	Bonnet	1	Carbon Steel ASTM A216 - WCB
8	Bolt	1	B7 Steel A193
9	Nut	1	2H Steel A194
10	Pin	1	Carbon Steel
11	Gland Flange	1	Carbon Steel
12	Eye Bolt	1	B7 Steel A193
13	Eye Nut	1	2H Steel A194
14	Stem Nut	1	D-2
15	Gasket	1	410 Stainless Steel
16	Nut	1	Carbon Steel
17	Hand-wheel	1	Ductile Iron
18	Screw	1	Carbon Steel
19	Gland	1	410 Stainless Steel
20	Packing	1	304 Stainless Steel & Graphite
21	Distance Ring	1	410 Stainless Steel
22	Packing	1	Flexible Graphite
23	Back Seat	1	410 Stainless Steel
24	Rivet	1	304 Stainless Steel
25	Name Plate	1	304 Stainless Steel

Shell Test Water psi	Seat Test Water psi	Seat Test Air psi
2250	1628	80

Temperature °F	Working Pressure psi
-20 to 100	1480
200	1350
300	1315
400	1270
500	1200
600	1095
650	1025
700	1065
750	1010
800	825
850	535
900	345
950	205
1000	105

Ordering

Fig: 8 - 45 - 6 - 1 - 4

Description: 8" - Series 45 - 600# Flange Ends - Carbon Steel

Size	Series	Class	Ends	Body Material	Options				
2	45	6	600	4	Carbon Steel	X	Oxygen Service		
2-1/2						2	Butt-weld	SF	Silicon Free
3								RTJ	Ring Type Joint Flange
4									
6									
8									
10									
12									