

Series 45314

300# Flanged Cast Steel Globe Valve

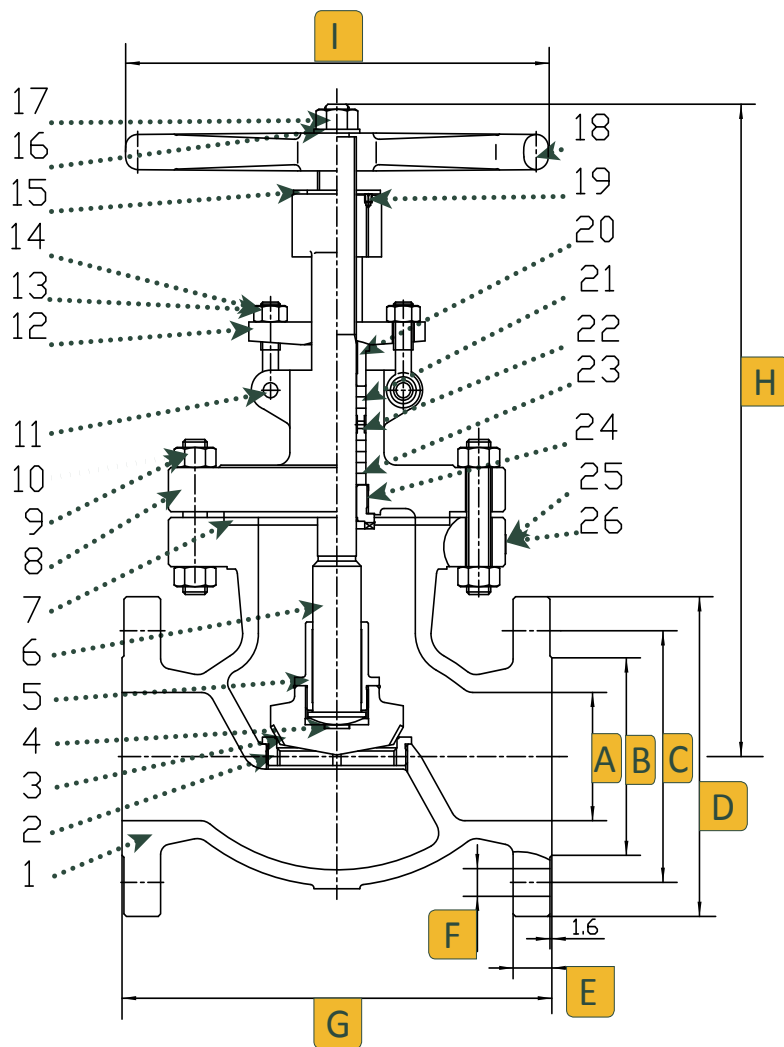
Features

- Outside screw and yoke
- Bolted bonnet
- Stem / Wedge Connection meets API 600 Pull Test
- Welded Seat
- Yoke Integrated with Bonnet
- Loose Disc
- Renewable Seat Rings
- Rising stem and non-rising hand-wheel
- Flanged ends
- Butt-weld ends
- Applicable Standards:
 - Steel valves ANSI B16.34
 - Face to face ANSI B16.10
 - End flanges ANSI B16.5
 - Butt-weld ends ANSI B16.25
 - Inspection and test API 598



Valves, Automation & Controls



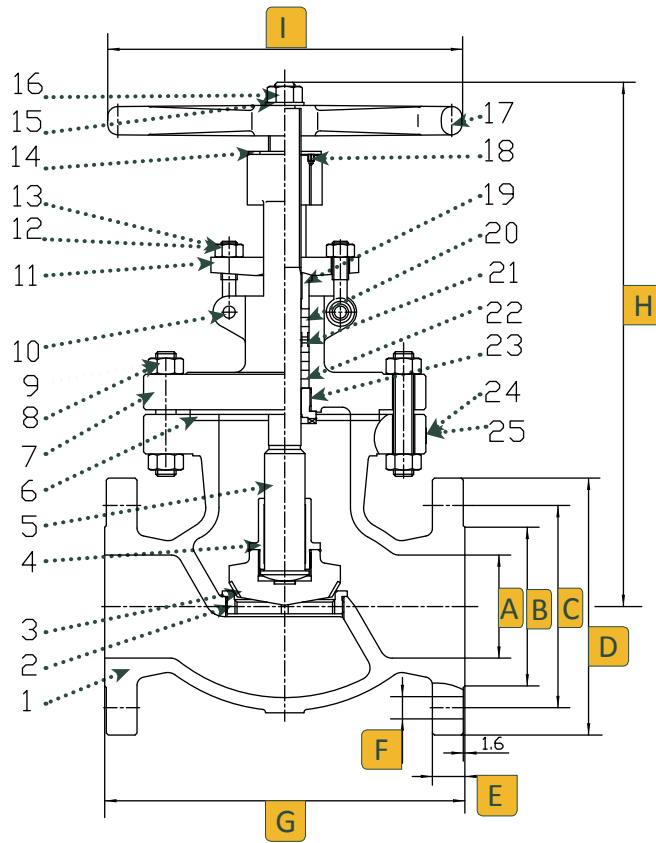


Dimensions (Inches)

Size	A	B	C	D	E	F	G	H	I	Num of Bolt Holes
2	2.00	3.62	5.00	6.50	0.87	0.75	10.50	13.74	7.87	8
2-1/2	2.50	4.12	5.88	7.50	1.00	0.875	11.50	15.35	9.84	8
3	3.00	5.00	6.62	8.25	1.12	0.875	12.50	16.93	9.84	8
4	4.00	6.19	7.88	10.00	1.25	0.875	14.00	19.13	11.80	8
6	6.00	8.50	10.62	12.50	1.44	0.875	17.50	24.33	15.75	12

No.	Part Name	Qty	Material
1	Body	1	Carbon Steel ASTM A216 - WCB
2	Seat	1	A105 & STL.6
3	Disc	1	A105 & 410 Stainless Steel
4	Thrust Plate	1	410 Stainless Steel
5	Disc Cover	1	410 Stainless Steel
6	Stem	1	A182 F6a
7	Gasket	1	304 Stainless Steel & Flexible Graphite
8	Bonnet	1	Carbon Steel ASTM A216 - WCB
9	Bolt	1	B7 Steel A193
10	Nut	1	2H Steel A194
11	Pin	1	Carbon Steel
12	Gland Flange	1	Carbon Steel
13	Eye Bolt	1	B7 Steel A193
14	Eye Nut	1	2H Steel A194
15	Stem Nut	1	D-2
16	Gasket	1	410 Stainless Steel
17	Nut	1	Carbon Steel
18	Hand-wheel	1	Ductile Iron
19	Screw	1	Carbon Steel
20	Gland	1	410 Stainless Steel
21	Packing	1	304 Stainless Steel & Graphite
22	Distance Ring	1	410 Stainless Steel
23	Packing	1	Flexible Graphite
24	Back Seat	1	410 Stainless Steel
25	Rivet	1	304 Stainless Steel
26	Name Plate	1	304 Stainless Steel

8" - 16" Dimensions, Parts & Materials



Size	A	B	C	D	E	F	G	H	I	Num of Bolt Holes
8	8.00	10.62	13.00	15.00	1.62	1.00	22.00	36.90	19.70	12
10	10.00	12.75	15.25	17.50	1.87	1.125	24.50	37.40	22.10	16
12	12.00	15.00	17.75	20.50	2.00	1.25	28.00	39.20	22.10	16
14	14.00	16.25	20.25	23.00	2.12	1.25	33.00	39.60	25.20	20
16	16.00	18.50	22.50	25.50	2.25	1.375	34.00	40.40	25.20	20

No.	Part Name	Qty	Material
1	Body	1	Carbon Steel ASTM A216 - WCB
2	Seat	1	A105 & STL.6
3	Disc	1	A105 & 410 Stainless Steel
4	Thrust Plate	1	410 Stainless Steel
5	Disc Cover	1	410 Stainless Steel
6	Stem	1	A182 F6a
7	Gasket	1	304 Stainless Steel & Flexible Graphite
8	Bonnet	1	Carbon Steel ASTM A216 - WCB
9	Bolt	1	B7 Steel A193
10	Nut	1	2H Steel A194
11	Pin	1	Carbon Steel
12	Gland Flange	1	Carbon Steel
13	Eye Bolt	1	B7 Steel A193
14	Eye Nut	1	2H Steel A194
15	Stem Nut	1	D-2
16	Gasket	1	410 Stainless Steel
17	Nut	1	Carbon Steel
18	Hand-wheel	1	Ductile Iron
19	Screw	1	Carbon Steel
20	Gland	1	410 Stainless Steel
21	Packing	1	304 Stainless Steel & Graphite
22	Distance Ring	1	410 Stainless Steel
23	Packing	1	Flexible Graphite
24	Back Seat	1	410 Stainless Steel
25	Rivet	1	304 Stainless Steel
26	Name Plate	1	304 Stainless Steel

Shell Test Water psi	Seat Test Water psi	Seat Test Air psi
1125	814	80

Temperature °F	Working Pressure psi
-20 to 100	740
200	675
300	655
400	635
500	600
600	550
650	535
700	535
750	505
800	410
850	270
900	170
950	105
1000	60

Ordering

Fig: 8 - 45 - 3 - 1 - 4

Description: 8" - Series 45 - 300# Flange Ends - Carbon Steel

Size	Series	Class	Ends	Body Material	Options
2	45	3 300	1 Flange 2 Butt-weld	4 Carbon Steel	X Oxygen Service SF Silicon Free RTJ Ring Type Joint Flange
2-1/2					
3					
4					
6					
8					
10					
12					
14					
16					