



Valves, Automation & Controls

Series 4483
FORGED GLOBE VALVE

Design Features

- Class 800
- Socket weld ends forged steel or 316L stainless steel
- Threaded ends forged steel or 316L stainless steel
- Bolted bonnet
- Rising stem
- NACE MR-0175

Applicable Standards

- Basic Design API 602
- Socket Weld ANSI 16.11
- Threaded ANSI B1.20.1
- Test API 598



Technical Information

Size	Cv	Weight (lbs.)
1/4	2	4.7
3/8	3	4.6
1/2	3	4.6
3/4	4	5.1
1	6	8.1
1-1/4	14	13.2
1-1/2	14	16.5
2	33	25.3

Temperature °F	316L Pressure psi	Forged Steel Pressure psi
-20 to 100	1600	1975
200	1365	1810
300	1215	1745
400	1120	1690
500	1050	1610
600	990	1515
650	975	1465
700	960	1415
750	940	1350
800	920	1100
850	900	-

USA 800-766-0076

Fax 323-890-4456

www.smithcooper.com

www.sharpevalves.com

Los Angeles, CA

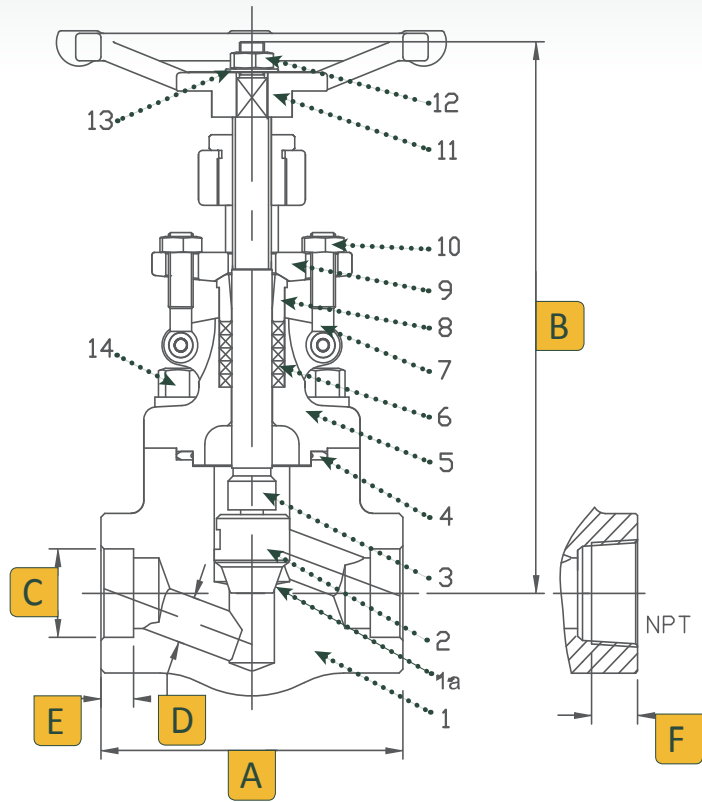
Chicago, IL

Atlanta, GA

Vancouver, WA

Houston, TX

Dimensions, Parts & Materials



No.	Part Name	Qty	Material
1	Body	1	316L Stainless Steel ASTM A182 or Forged Steel ASTM A105
1a	Seat	1	Stellite
2	Disc	1	316 Stainless Steel or 410 Stainless Steel*
3	Stem	1	316 Stainless Steel or 410 Stainless Steel*
4	Gasket	1	316 + Graphite or 304 + Graphite*
5	Bonnet	1	316L Stainless Steel or Carbon Steel ASTM A105N*
6	Packing	4	Graphite
7	Gland Studs	2	B8M Steel or 410 Stainless Steel*
8	Packing Gland	1	316 Stainless Steel or 2HM Steel ASTM A194*
9	Gland Flange	1	304 Stainless Steel or Carbon Steel ASTM A105N*
10	Gland Nut	2	Gr8 Steel or 2HM Steel ASTM A194*
11	Hand Wheel	1	Carbon Steel
12	Hand Wheel Nut	1	Carbon Steel
13	Name Plate	1	Aluminum
14	Body Bolt	4	B8M Steel ASTM A193 or B7M Steel ASTM A193*

* Used on Carbon Steel Valves

Dimensions (Inches)

Size	A	B	C	D	E	F
1/4	3.11	6.53	0.56	0.24	0.39	0.40
3/8	3.11	6.53	0.69	0.28	0.39	0.43
1/2	3.11	6.53	0.85	0.39	0.39	0.54
3/4	3.58	6.53	1.07	0.51	0.51	0.55
1	3.94	7.90	1.33	0.71	0.51	0.69
1-1/4	4.72	8.98	1.68	0.87	0.51	0.71
1-1/2	5.98	10.00	1.92	1.18	0.51	0.72
2	6.77	11.60	2.41	1.38	0.63	0.76

How to Order

Size	Series	Body	Ends
1/4	4483	4 Forged Steel (Trim 8)	TE Threaded
3/8		6 Stainless Steel (Trim 12)	SW Socket Weld
1/2			
3/4			
1			
1-1/4			
1-1/2			
2			

Example: 1 - 4483 - 6 - TE = 1-4483-6-TE