

Series 35614

600# Flanged Cast Steel Gate Valve

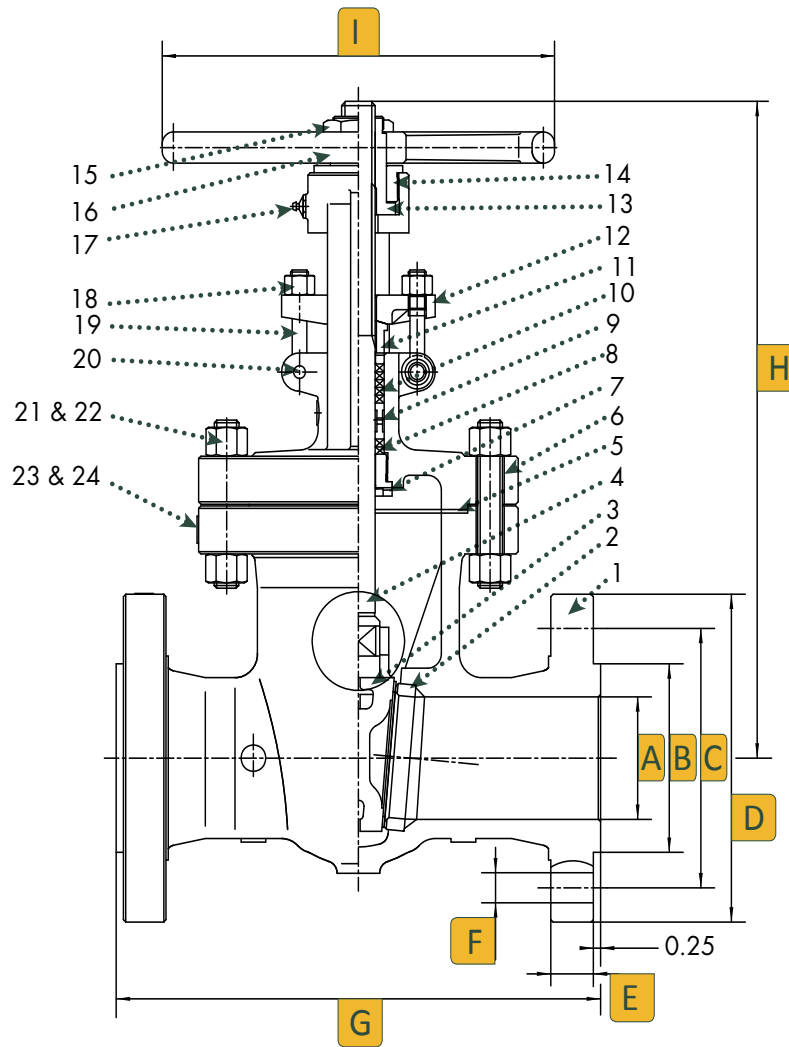
Features

- Full port
- Outside screw and yoke
- Bolted bonnet
- Flexible wedge, fully guided
- Integrated seats
- Rising stem and non-rising hand-wheel
- Flanged ends
- Butt-weld ends
- Available with gear operator
- Nace MR-0175
- Trim 8
- Applicable Standards:
 - Gate valves API 603
 - Steel valves ANSI B16.34
 - Face to face ANSI B16.10
 - End flanges ANSI B16.5
 - Butt-weld ends ANSI B16.25
 - Inspection and test API 598



Valves, Automation & Controls



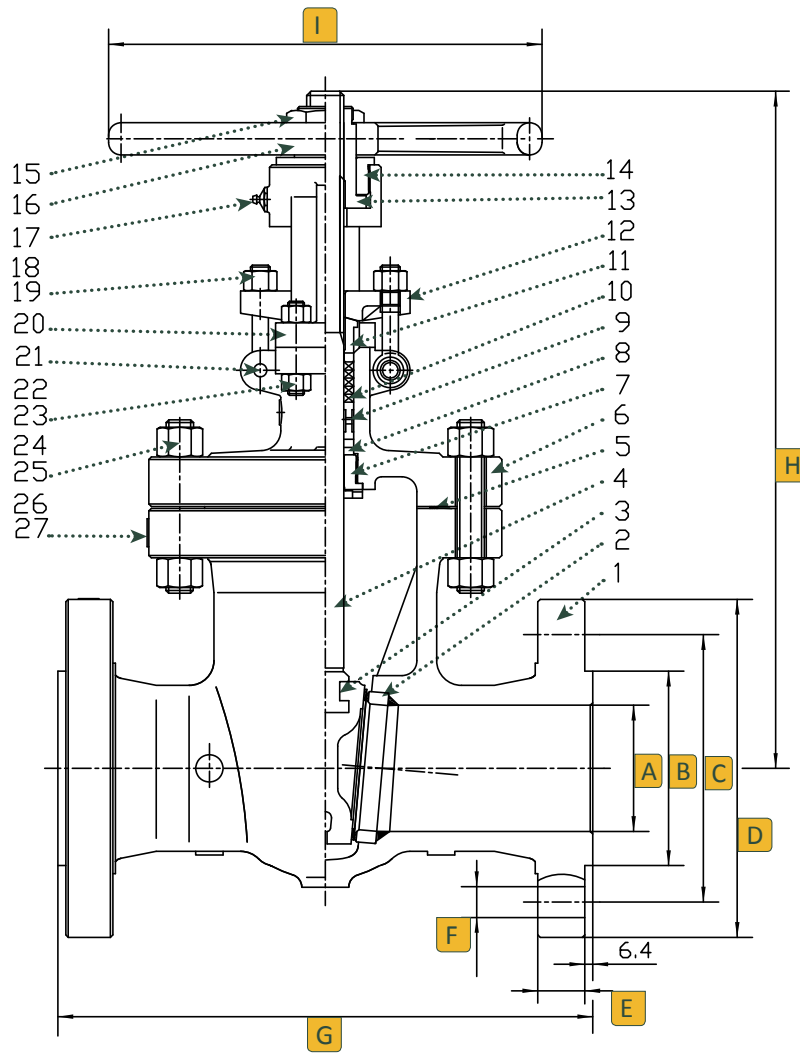


Dimensions (Inches)

Size	A	B	C	D	E	F	G	H	I	Num of Bolt Holes
2	2.00	3.62	5.00	6.50	1.00	0.75	11.50	14.41	9.84	8
2-1/2	2.50	4.12	5.88	7.50	1.12	0.875	13.00	18.62	9.84	8
3	3.00	5.00	6.62	8.25	1.25	0.875	14.00	17.87	11.81	8
4	4.00	6.19	8.50	10.75	1.50	1.00	17.00	26.10	13.78	8
6	6.00	8.50	11.50	14.00	1.88	1.125	22.00	32.80	17.70	12

No.	Part Name	Material
1	Body	Carbon Steel ASTM A216 - WCB
2	Seat	A105 & STL6
3	Wedge	A216 WCB & ER410
4	Stem	A182 - F6a
5	Gasket	304 Stainless Steel & Graphite
6	Bonnet	Carbon Steel ASTM A216 - WCB
7	Back Seat	410 Stainless Steel
8	Gland Packing	304 Stainless Steel & Graphite
9	Distance Ring	410 Stainless Steel
10	Gland Packing	Flexible Graphite
11	Gland	410 Stainless Steel
12	Gland Flange	Carbon Steel ASTM A216 - WCB
13	Stem Nut	A439-D2
14	Gland Nut	Carbon Steel
15	Lock Nut	Carbon Steel
16	Hand-wheel	Ductile Iron
17	Grease Nipple	Carbon Steel
18	Eye Nut	B7 Steel A193
19	Eye Bolt	2H Steel A194
20	Pin	Carbon Steel
21	Bolt	B7 Steel A193
22	Nut	2H Steel A194
23	Name Plate	304 Stainless Steel
24	Rivet	304 Stainless Steel

8" - 24" Dimensions, Parts & Materials



Size	A	B	C	D	E	F	G	H	I	Num of Bolt Holes
8	8.00	10.62	13.75	16.50	2.19	1.25	26.00	37.40	19.70	12
10	10.00	12.75	17.00	20.00	2.50	1.375	31.00	52.10	25.20	16
12	12.00	15.00	19.25	22.00	2.62	1.375	33.00	47.44	25.20	20
16	16.00	18.50	23.75	27.00	3.00	1.625	39.00	55.00	28.40	20
18	18.00	21.00	25.75	29.25	3.25	1.75	43.00	65.55	35.40	20
20	20.00	23.00	28.50	32.00	3.50	1.75	47.00	68.98	35.40	24
24	24.00	27.25	33.00	37.00	4.00	2.00	55.00	76.89	35.40	24

No.	Part Name	Material
1	Body	Carbon Steel ASTM A216 - WCB
2	Seat	A105 & STL6
3	Wedge	A216 WCB & ER410
4	Stem	A182 - F6a
5	Gasket	304 Stainless Steel & Graphite
6	Bonnet	Carbon Steel ASTM A216 - WCB
7	Back Seat	410 Stainless Steel
8	Gland Packing	304 Stainless Steel & Graphite
9	Distance Ring	410 Stainless Steel
10	Gland Packing	Flexible Graphite
11	Gland	410 Stainless Steel
12	Gland Flange	Carbon Steel ASTM A216 - WCB
13	Stem Nut	A439-D2
14	Gland Nut	Carbon Steel
15	Lock Nut	Carbon Steel
16	Hand-wheel	Ductile Iron
17	Grease Nipple	Carbon Steel
18	Eye Bolt	2H Steel A194
19	Eye Nut	B7 Steel A193
20	Yoke	Carbon Steel ASTM A216 - WCB
21	Pin	Carbon Steel
22	Bolt	B7 Steel A193
23	Nut	2H Steel A194
24	Bolt	B7 Steel A193
25	Nut	2H Steel A194
26	Name Plate	304 Stainless Steel
27	Rivet	304 Stainless Steel

Shell Test Water psi	Seat Test Water psi	Seat Test Air psi
2225	1628	80

Temperature °F	Working Pressure psi
-20 to 100	1480
200	1350
300	1315
400	1270
500	1200
600	1095
650	1075
700	1065
750	1010
800	825
850	535
900	345
950	205
1000	105

Ordering

Fig: 8 - 35 - 6 - 1 - 4

Description: 8" - Series 35 - 600# Flange Ends - Carbon Steel

Size	Series	Class	Ends	Body Material	Options
2	35	6 600	1 Flange	4 Carbon Steel	X Oxygen Service
2-1/2			2 Butt-weld		SF Silicon Free
3					RTJ Ring Type Joint Flange
4					
5					
6					
8					
10					
12					
14					
16					
18					
20					
24					