



Valves, Automation & Controls

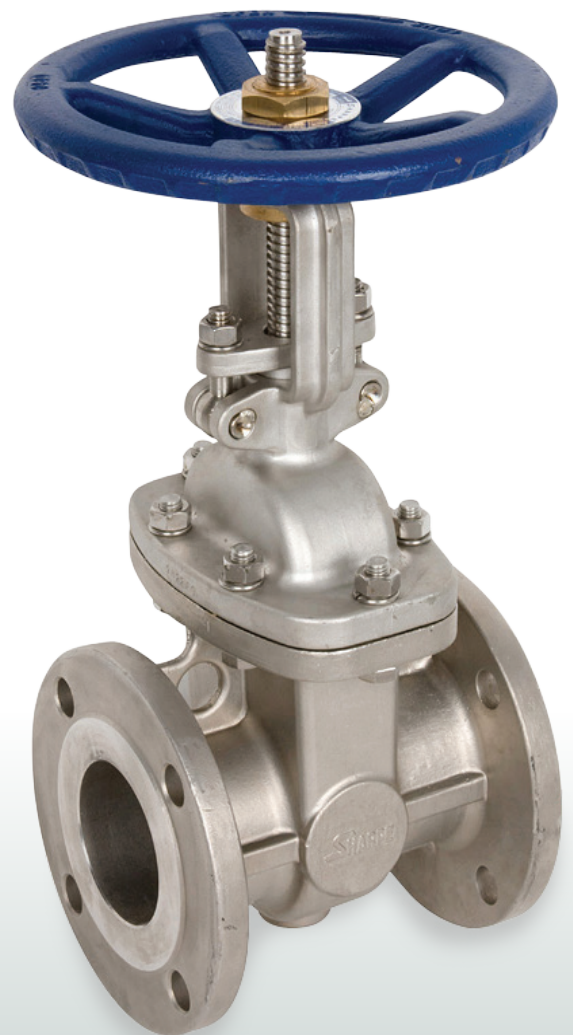
Series 35116
150# FLANGED STAINLESS STEEL
GATE VALVE

Design Features

- Outside screw and yoke
- Bolted bonnet
- Flexible wedge, fully guided
- Integrated seats
- Rising stem and non-rising hand-wheel
- Available with gear operator

Applicable Standards

- Gate valves API 603
- Steel valves ANSI B16.34
- Face to face ANSI B16.10
- End flanges ANSI B16.5
- Butt-weld ends ANSI B16.25
- Inspection and test API 598



USA 800-766-0076

Fax 323-890-4456

www.smithcooper.com

www.sharpevalves.com

Los Angeles, CA

Chicago, IL

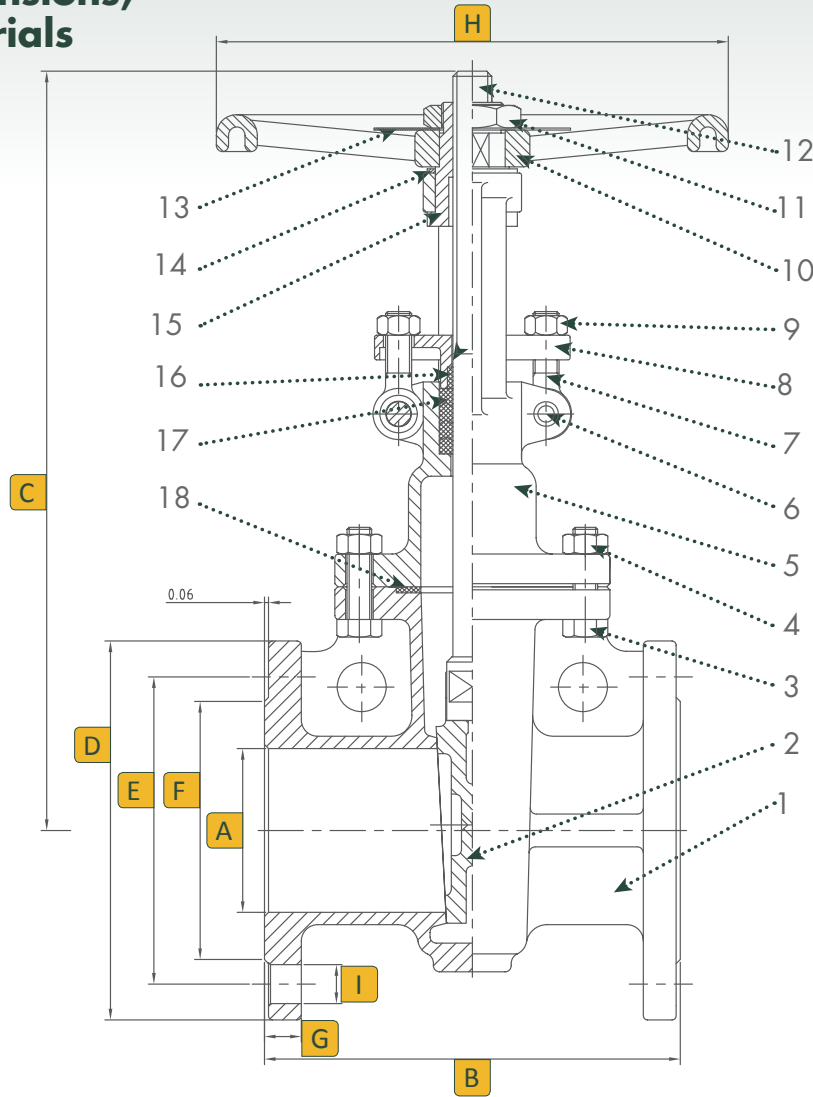
Atlanta, GA

Vancouver, WA

Houston, TX

Series 35116 150# FLANGED STAINLESS STEEL GATE VALVE

1/2"-12" Dimensions, Parts & Materials



Dimensions (Inches)

Size	A	B	C	D	E	F	G	H	I	Num of Bolt Holes
1/2	0.59	4.25	7.50	3.50	2.38	1.38	0.44	4.72	0.62	4
3/4	0.79	4.61	7.68	3.88	2.75	1.69	0.44	4.72	0.62	4
1	0.98	5.00	9.21	4.25	3.12	2.00	0.44	4.72	0.62	4
1-1/2	1.57	6.50	11.81	5.00	3.88	2.88	0.56	7.87	0.62	4
2	1.97	7.01	13.03	6.00	4.75	3.62	0.62	7.87	0.75	4
2-1/2	2.56	7.48	15.47	7.00	5.50	4.12	0.69	7.87	0.75	4
3	3.15	7.99	18.50	7.50	6.00	5.00	0.75	9.84	0.75	4
4	3.94	9.02	21.45	9.00	7.50	6.19	0.94	9.84	0.75	8
5	4.92	10.00	25.20	10.00	8.50	7.31	0.94	11.81	0.88	8
6	5.91	10.51	29.13	11.00	9.50	8.50	1.00	11.81	0.88	8
8	7.87	11.50	35.83	13.50	11.75	10.62	1.12	13.78	0.88	8
10	9.84	12.99	43.19	16.00	14.25	12.75	1.19	15.75	1.00	12
12	11.81	14.02	50.59	19.00	17.00	15.00	1.25	15.75	1.00	12

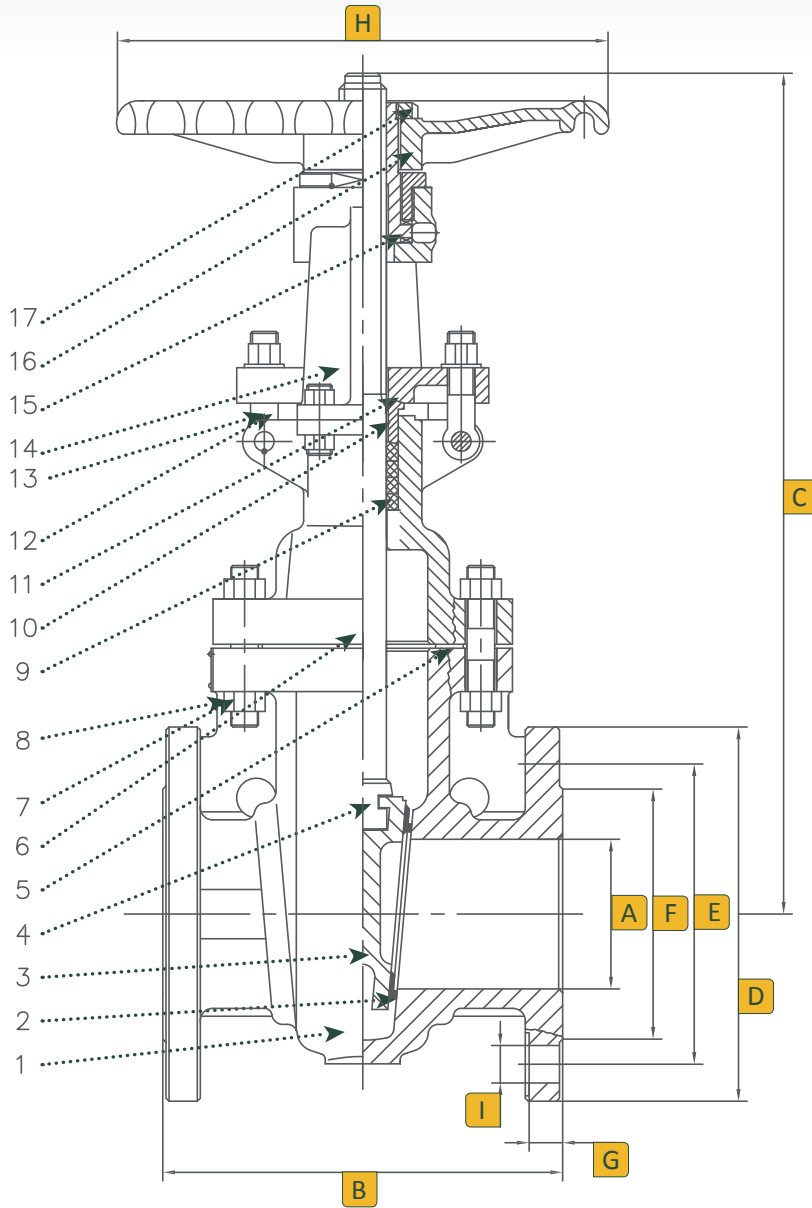
No.	Part Name	Material
1	Body	316 Stainless Steel ASTM A351 CF8M
2	Disc	316 Stainless Steel ASTM A351 CF8M
3	Bonnet Bolt	304 Stainless Steel
4	Bonnet Nut	304 Stainless Steel
5	Bonnet	316 Stainless Steel ASTM A351 CF8M
6	Hinge Pin	304 Stainless Steel
7	Eye Bolt	304 Stainless Steel
8	Gland	316 Stainless Steel ASTM A351 CF8M
9	Eye Nut	304 Stainless Steel
10	Hand Wheel	Ductile Iron
11	Nut	Ductile Iron
12	Stem	A182 - F316
13	Name Plate	304 Stainless Steel
14	Spring	Ductile Iron
15	Yoke Sleeve	Ductile Iron
16	Gland Packing	PTFE (Graphite optional)
17	Packing	PTFE (Graphite optional)
18	Gasket	PTFE (Grafoil + 316 Sheet optional)



Valves, Automation & Controls

Series 35116 150# FLANGED STAINLESS STEEL GATE VALVE

**14"-24" Dimensions,
Parts & Materials**



No.	Part Name	Material
1	Body	316 Stainless Steel ASTM A351 CF8M
2	Seal Face	316 Stainless Steel
3	Wedge	316 Stainless Steel ASTM A351 CF8M
4	Stem	ASTM A182 F316
5	Gasket	PTFE (Graphoil + 316 Sheet*)
6	Bonnet	316 Stainless Steel ASTM A351 CF8M
7	Bonnet Bolt	B8 A193
8	Bonnet Nut	Gr. 8 A194
9	Stem Packing	Graphite
10	Gland	ASTM A182 F316
11	Gland Flange	CF8 A351
12	Gland Eyebolt	B8 A193
13	Gland Nut	Gr. 8 A194
14	Yoke	316 Stainless Steel ASTM A351 CF8M
15	Stem Nut	Steel
16	Hand Wheel	Ductile Iron
17	Lock Nut	ANSI 1020

*Optional

Dimensions (Inches)

Size	A	B	C	D	E	F	G	H	I	Num of Bolt Holes
14	13.27	15.00	59.65	21.00	18.75	18.75	1.38	19.69	1.125	12
16	15.24	16.00	67.76	23.50	21.25	21.25	1.44	19.69	1.125	16
18	17.24	17.00	74.92	25.00	22.75	22.75	1.56	23.62	1.125	16
20	19.25	18.00	82.83	27.50	25.00	25.00	1.69	23.62	1.125	20
24	23.27	20.00	99.02	32.00	29.50	29.50	1.88	27.56	1.125	20



Valves, Automation & Controls

Series 35116

150# FLANGED STAINLESS STEEL GATE VALVE

Technical Information

Temperature °F*	Working Pressure psi
-20 to 100	275
200	235
300	215
400	195
500	170
600	140
650	125
700	110
750	95
800	80
850	65
900	50
950	35
1000	20

*Standard PTFE seals limited to 450°F, over 450°F use graphite.

How to Order

Size	Series	Class	Ends	Body Material	Options
1/2	35	1 150 Flange	1 Flange	6 316 Stainless Steel	60 Gear Operator*
3/4			2 Butt-weld*		G Graphite stem packing & Bonnet Seal*
1					
1-1/2					
2					
2-1/2					
3					
4					
5					
6					
8					
10					
12					
14*					
16*					
18*					
20*					
24*					

*POA

Example: 8 - 35 - 1 - 1 - 6 - = 8-35-1-1-6

Due to continuous development of our product range, we reserve the right to change the dimensions and information for this product as required.