

Series 35114

150# Flanged Cast Steel Gate Valve

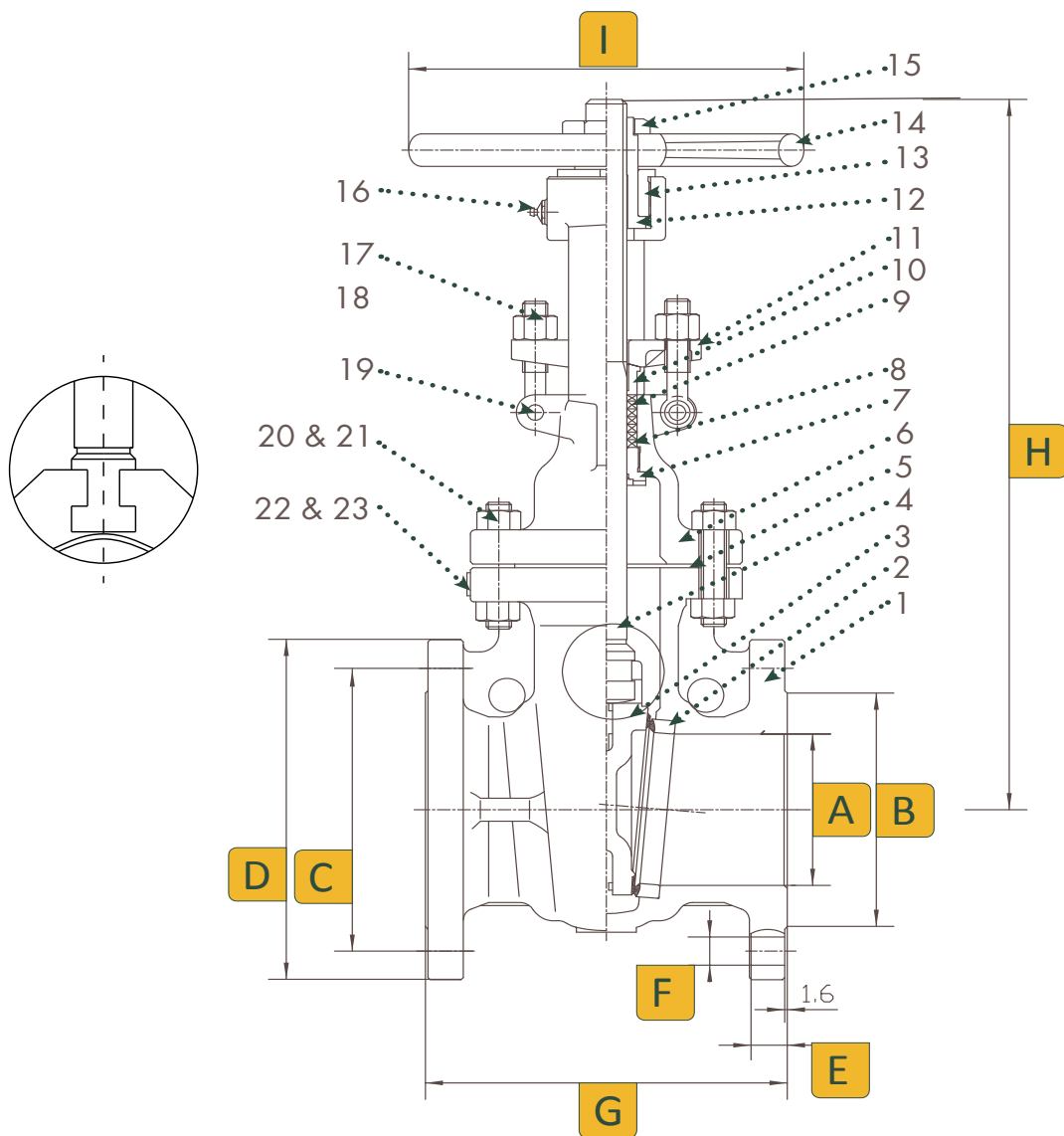
Features

- Full port
- Outside screw and yoke
- Bolted bonnet
- Flexible wedge, fully guided
- Integrated seats
- Rising stem and non-rising hand-wheel
- Flanged ends
- Butt-weld ends
- Available with gear operator
- Nace MR-0175
- Trim 8
- Applicable Standards:
 - Gate valves API 603
 - Steel valves ANSI B16.34
 - Face to face ANSI B16.10
 - End flanges ANSI B16.5
 - Butt-weld ends ANSI B16.25
 - Inspection and test API 598



Valves, Automation & Controls



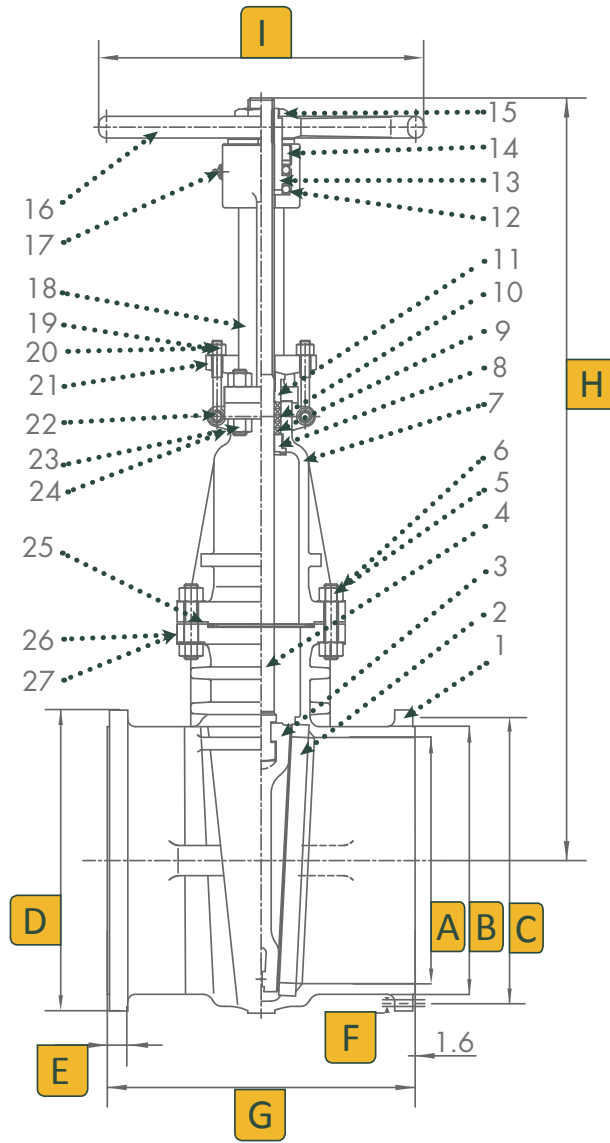


Dimensions (Inches)

| Size | A | B | C | D | E | F | G | H | I | Num of Bolt Holes |
|-------|-------|-------|-------|-------|------|-------|-------|-------|-------|-------------------|
| 2 | 2.01 | 3.62 | 4.76 | 5.98 | 0.75 | 0.75 | 7.01 | 12.99 | 7.87 | 4 |
| 2-1/2 | 2.52 | 4.13 | 5.51 | 7.01 | 0.89 | 0.75 | 7.48 | 13.98 | 7.87 | 4 |
| 3 | 2.99 | 5.00 | 6.02 | 7.48 | 0.94 | 0.75 | 7.99 | 15.47 | 9.84 | 4 |
| 4 | 4.02 | 6.18 | 7.52 | 9.02 | 0.94 | 0.75 | 9.02 | 18.70 | 9.84 | 8 |
| 6 | 6.00 | 8.50 | 9.50 | 11.00 | 1.00 | 0.875 | 10.50 | 23.42 | 11.81 | 8 |
| 8 | 8.00 | 10.62 | 11.75 | 13.50 | 1.12 | 0.875 | 11.50 | 28.86 | 13.78 | 8 |
| 10 | 10.00 | 12.75 | 14.25 | 16.00 | 1.18 | 1.00 | 13.00 | 34.40 | 15.75 | 12 |
| 12 | 12.00 | 15.00 | 17.00 | 19.00 | 1.25 | 1.00 | 14.00 | 40.00 | 17.72 | 12 |

| No. | Part Name | Material |
|-----|---------------|--------------------------------|
| 1 | Body | Carbon Steel ASTM A216 - WCB |
| 2 | Seat | A105 & STL6 |
| 3 | Wedge | A216 WCB & ER410 |
| 4 | Stem | A182 - F6a |
| 5 | Gasket | 304 Stainless Steel & Graphite |
| 5A | Bolt | B7 Steel ASTM A193 |
| 6 | Bonnet | Carbon Steel ASTM A216 - WCB |
| 7 | Back Seat | 410 Stainless Steel |
| 8 | Gland Packing | 304 Stainless Steel & Graphite |
| 9 | Gland Packing | Flexible Graphite |
| 10 | Gland | 410 Stainless Steel |
| 11 | Gland Flange | Carbon Steel ASTM A216 - WCB |
| 12 | Stem Nut | A439-D2 |
| 13 | Gland Nut | Carbon Steel |
| 14 | Hand-wheel | Ductile Iron |
| 15 | Lock Nut | Carbon Steel |
| 16 | Grease Nipple | Carbon Steel |
| 17 | Eye Nut | B7 Steel ASTM A193 |
| 18 | Eye Bolt | 2H Steel ASTM A194 |
| 19 | Pin | Carbon Steel |
| 20 | Bolt | B7 Steel ASTM A193 |
| 21 | Nut | 2H Steel ASTM A194 |
| 22 | Name Plate | 304 Stainless Steel |
| 23 | Rivet | 304 Stainless Steel |

14" - 24" Dimensions, Parts & Materials



| Size | A | B | C | D | E | F | G | H | I | Num of Bolt Holes |
|------|-------|-------|-------|-------|------|-------|-------|-------|-------|-------------------|
| 14 | 14.00 | 16.25 | 18.75 | 21.00 | 1.37 | 1.125 | 15.00 | 59.70 | 19.70 | 12 |
| 16 | 16.00 | 18.50 | 21.25 | 23.50 | 1.44 | 1.125 | 16.00 | 67.70 | 22.00 | 16 |
| 18 | 18.00 | 21.00 | 22.75 | 25.00 | 1.56 | 1.25 | 17.00 | 74.70 | 25.20 | 16 |
| 20 | 20.00 | 23.00 | 25.00 | 27.50 | 1.68 | 1.25 | 18.00 | 82.99 | 25.20 | 20 |
| 24 | 24.00 | 27.25 | 29.50 | 32.00 | 1.87 | 1.375 | 20.00 | 97.68 | 28.35 | 20 |

| No. | Part Name | Material |
|-----|---------------|--------------------------------|
| 1 | Body | Carbon Steel ASTM A216 - WCB |
| 2 | Seat | A105 & STL6 |
| 3 | Wedge | A216 WCB & ER410 |
| 4 | Stem | A182 - F6a |
| 5 | Bolt | B7 Steel ASTM A193 |
| 6 | Nut | 2H Steel A194 |
| 7 | Bonnet | Carbon Steel ASTM A216 - WCB |
| 8 | Back Seat | 410 Stainless Steel |
| 9 | Gland Packing | 304 Stainless Steel & Graphite |
| 10 | Gland Packing | Flexible Graphite |
| 11 | Gland | 410 Stainless Steel |
| 12 | Axletree | |
| 13 | Stem Nut | A439-D2 |
| 14 | Gland Nut | Carbon Steel |
| 15 | Lock Nut | Carbon Steel |
| 16 | Hand-wheel | Ductile Iron |
| 17 | Grease Nipple | Carbon Steel |
| 18 | Yoke | Carbon Steel ASTM A216 - WCB |
| 19 | Eye Nut | 2H Steel ASTM A194 |
| 20 | Eye Bolt | B7 Steel ASTM A193 |
| 21 | Gland Flange | Carbon Steel ASTM A216 - WCB |
| 22 | Pin | Carbon Steel |
| 23 | Bolt | B7 Steel ASTM A193 |
| 24 | Nut | 2H Steel ASTM A194 |
| 25 | Gasket | 304 Stainless Steel & Graphite |
| 26 | Name Plate | 304 Stainless Steel |
| 27 | Rivet | 304 Stainless Steel |

| Shell Test Water psi | Seat Test Water psi | Seat Test Air psi |
|-------------------------|------------------------|----------------------|
| 450 | 314 | 80 |

| Temperature °F | Working Pressure psi |
|-------------------|-------------------------|
| -20 to 100 | 285 |
| 200 | 260 |
| 300 | 230 |
| 400 | 200 |
| 500 | 170 |
| 600 | 140 |
| 650 | 125 |
| 700 | 110 |
| 750 | 95 |
| 800 | 80 |
| 850 | 85 |
| 900 | 50 |
| 950 | 35 |
| 1000 | 20 |

Ordering

Fig: 8 - 35 - 1 - 1 - 4

Description: 8" - Series 35 - 150# Flange Ends - Carbon Steel

| Size | Series | Class | Ends | Body Material | Options |
|-------|--------|-------|-------------------------|----------------|---|
| 2 | 35 | 1 150 | 1 Flange 2 Butt-weld | 4 Carbon Steel | X Oxygen Service SF Silicon Free RTJ Ring Type Joint Flange |
| 2-1/2 | | | | | |
| 3 | | | | | |
| 4 | | | | | |
| 5 | | | | | |
| 6 | | | | | |
| 8 | | | | | |
| 10 | | | | | |
| 12 | | | | | |
| 14 | | | | | |
| 16 | | | | | |
| 18 | | | | | |
| 20 | | | | | |
| 24 | | | | | |