



Valves, Automation & Controls

Series 25316
300# FLANGED STAINLESS STEEL
CHECK VALVE

Design Features

- Bolted Cover
- Swing Type
- Integral Seat

Applicable Standards

- Steel valves ANSI B16.34
- Face to face ANSI B16.10
- End flanges ANSI B16.5
- Butt-weld ends ANSI B16.25
- Inspection and test API 598



USA 800-766-0076

Fax 323-890-4456

www.smithcooper.com

www.sharpevalves.com

Los Angeles, CA

Chicago, IL

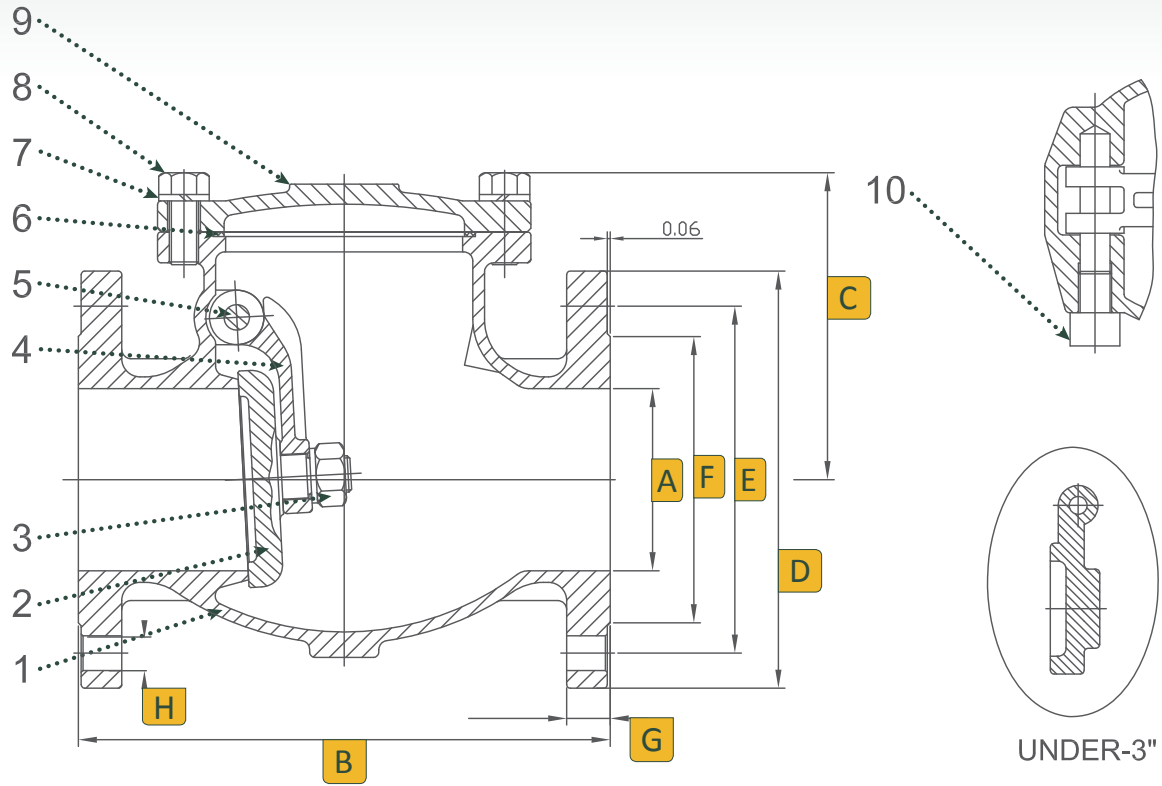
Atlanta, GA

Vancouver, WA

Houston, TX

Series 25316 300# FLANGED STAINLESS STEEL CHECK VALVE

**1/2" - 8" Dimensions,
Parts & Materials**



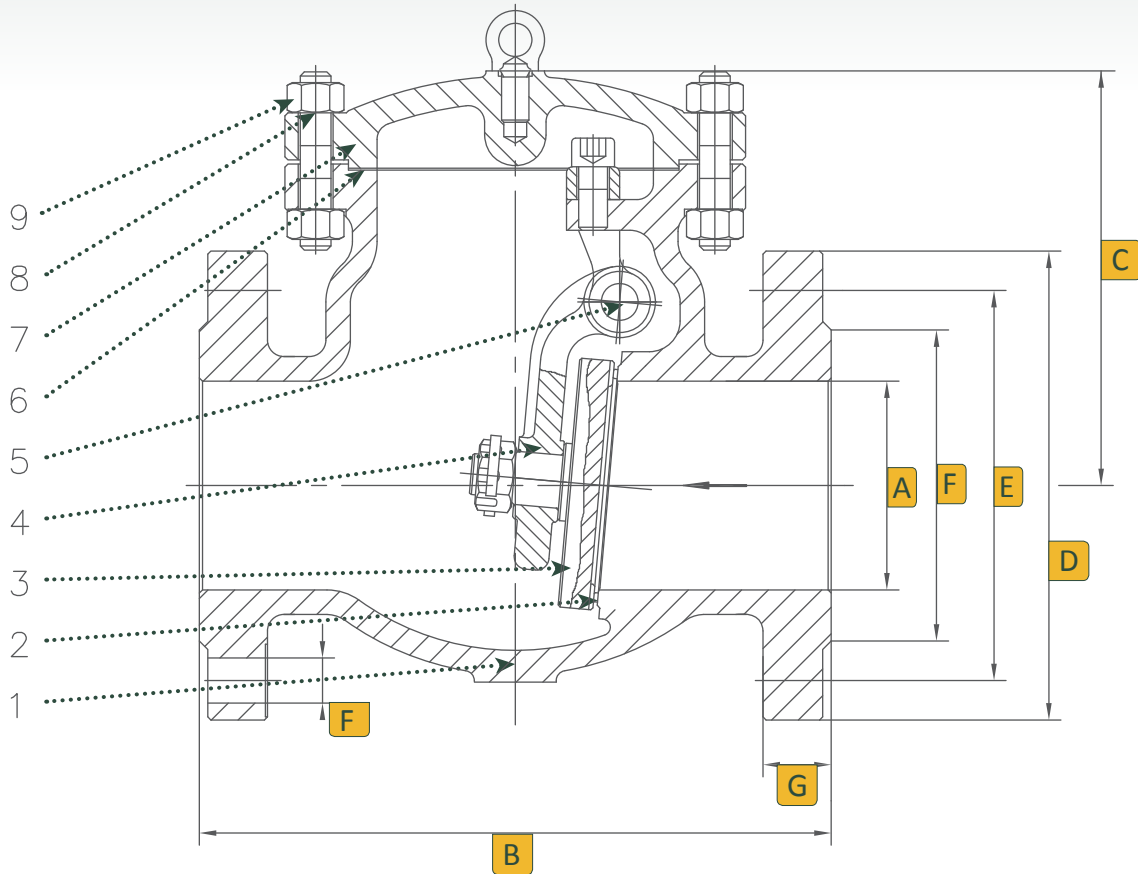
Dimensions (Inches)

Size	A	B	C	D	E	F	G	H	Num of Bolt Holes
1/2	0.59	5.98	2.40	3.75	2.62	1.38	0.56	0.625	4
3/4	0.79	7.01	2.41	4.62	3.25	1.69	0.62	0.75	4
1	0.98	7.99	3.11	4.88	3.50	2.00	0.69	0.75	4
1-1/2	1.57	9.49	3.66	6.12	4.50	2.88	0.81	0.875	4
2	1.97	10.51	5.00	6.50	5.00	3.62	0.88	0.75	8
2-1/2	2.56	11.50	5.67	7.50	5.88	4.12	1.00	0.875	8
3	3.15	12.52	6.06	8.25	6.62	5.00	1.12	0.875	8
4	3.94	14.02	7.71	10.00	7.88	6.19	1.25	0.875	8
6	5.90	17.48	9.06	12.50	10.62	8.50	1.44	0.875	12
8	7.87	20.98	10.43	15.00	13.00	10.62	1.62	1.00	12

No.	Part Name	Material
1	Body	316 Stainless Steel - CF8M
2	Disc	316 Stainless Steel - CF8M
3	Nut	304 Stainless Steel
4	Arm Hinge	316 Stainless Steel
5	Hinge Pin	316 Stainless Steel
6	Gasket	Grafoil + 304 Sheet
7	Washer	304 Stainless Steel
8	Bolt	304 Stainless Steel
9	Cover	316 Stainless Steel - CF8M
10	Bolt	304 Stainless Steel

Series 25316 300# FLANGED STAINLESS STEEL CHECK VALVE

10" - 24" Dimensions, Parts & Materials



Dimensions (Inches)

Size	A	B	C	D	E	F	G	H	Num of Bolt Holes
10	9.84	24.50	1.88	17.50	12.76	15.25	1.88	1.125	16
12	11.81	28.00	2.00	20.50	15.00	17.75	2.00	1.25	16
14	13.27	33.00	2.12	23.00	16.26	20.25	2.12	1.25	20
16	15.24	34.00	2.25	25.50	18.50	22.50	2.25	1.375	20
18	17.24	38.50	2.38	28.00	20.98	24.75	2.38	1.375	24
20	19.25	40.00	2.50	30.50	22.99	27.00	2.50	1.375	24
24	23.27	53.00	2.75	26.00	27.28	32.00	2.75	1.625	24

No.	Part Name	Material
1	Body	316 Stainless Steel - CF8M
2	Seal Facing	316 Stainless Steel
3	Disc	316 Stainless Steel - CF8M
4	Hinge	316 Stainless Steel
5	Hinge Pin	316 Stainless Steel
6	Gasket	Grafoil + 304 Sheet
7	Cover	316 Stainless Steel - CF8M
8	Cover Bolt	B8 Stainless Steel
9	Cover Nut	Grade 8 Nut

