



Valves, Automation & Controls

Series 25116
150# FLANGED STAINLESS STEEL
CHECK VALVE

Design Features

- Bolted Cover
- Swing Type
- Integral Seat

Applicable Standards

- Steel valves ANSI B16.34
- Face to face ANSI B16.10
- End flanges ANSI B16.5
- Butt-weld ends ANSI B16.25
- Inspection and test API 598



USA 800-766-0076

Fax 323-890-4456

www.smithcooper.com

www.sharpevalves.com

Los Angeles, CA

Chicago, IL

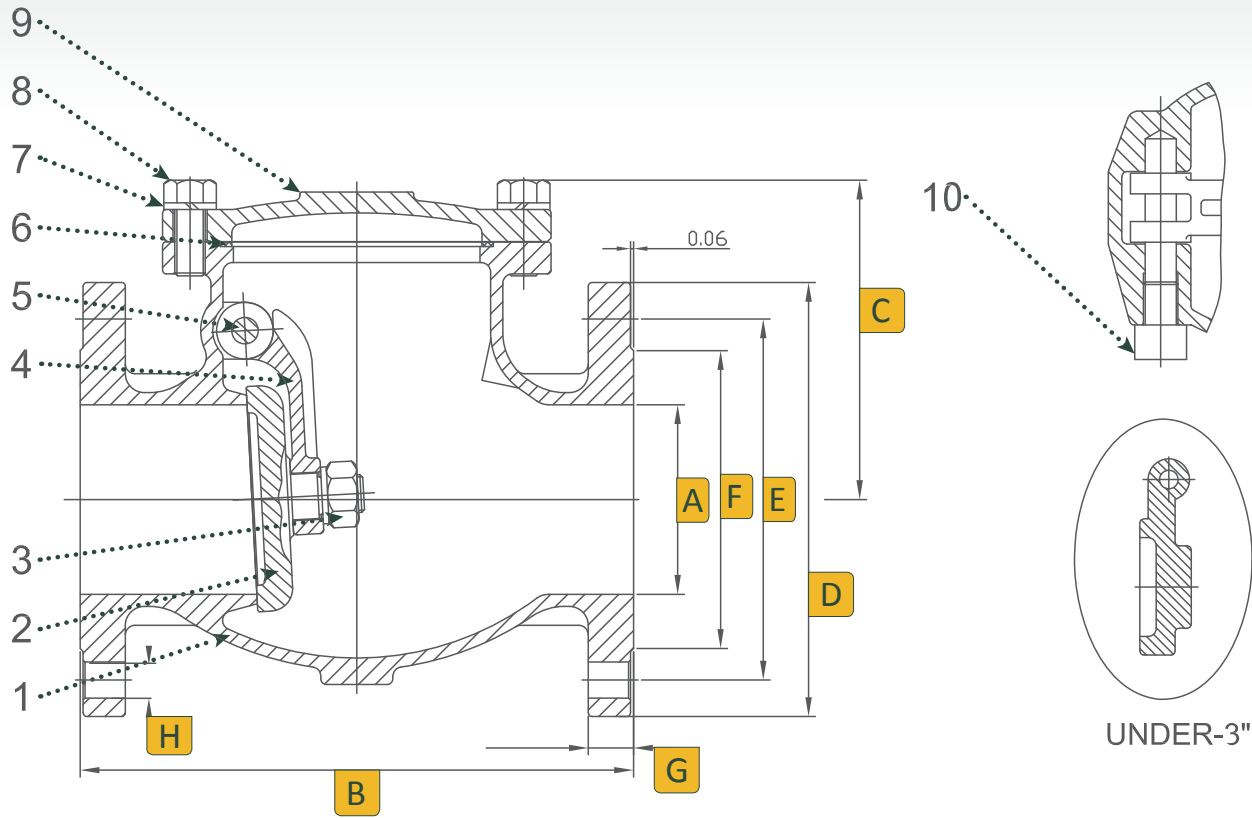
Atlanta, GA

Vancouver, WA

Houston, TX

150# FLANGED STAINLESS STEEL CHECK VALVE

1/2" - 14" Dimensions, Parts & Materials



Dimensions (Inches)

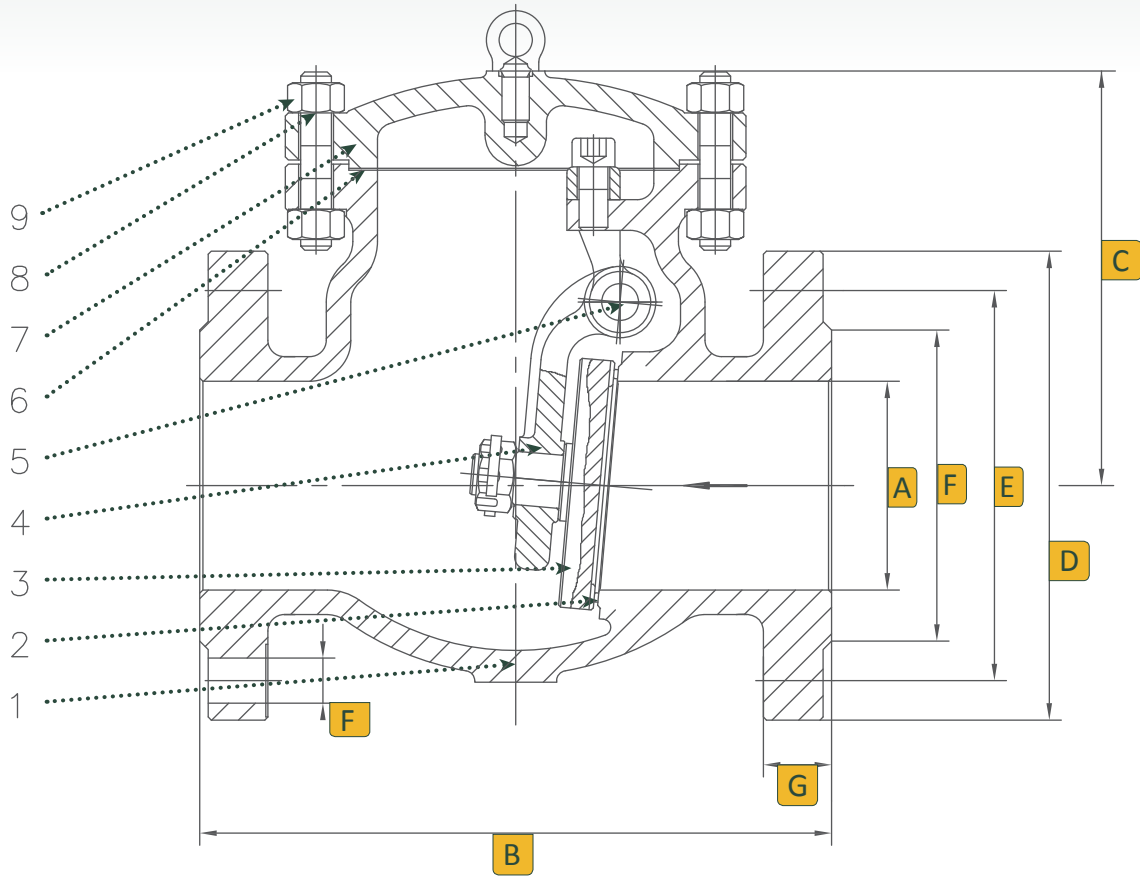
Size	A	B	C	D	E	F	G	H	Num of Bolt Holes
1/2	0.59	4.25	2.00	3.50	2.38	1.38	0.43	0.625	4
3/4	0.79	4.62	2.13	3.88	2.75	1.69	0.43	0.625	4
1	0.98	5.00	2.52	4.25	3.12	2.00	0.43	0.625	4
1-1/2	1.57	6.50	2.95	5.00	3.88	2.88	0.56	0.625	4
2	1.97	7.99	3.82	6.00	4.75	3.62	0.62	0.75	4
2-1/2	2.56	8.50	4.37	7.00	5.50	4.12	0.69	0.75	4
3	3.15	9.49	4.72	7.50	6.00	5.00	0.75	0.75	4
4	3.94	11.50	6.38	9.00	7.50	6.19	0.94	0.75	8
5	4.92	13.00	7.05	10.00	8.50	7.31	0.94	0.88	8
6	5.90	14.02	7.99	11.00	9.50	8.50	1.00	0.88	8
8	7.87	19.49	9.29	13.50	11.75	10.62	1.12	0.88	8
10	9.84	24.49	11.90	16.00	14.25	12.75	1.19	1.00	12
12	11.81	27.48	13.40	19.00	17.00	15.00	1.25	1.00	12
14	13.27	30.98	15.16	21.00	18.75	16.26	1.38	1.125	12

No.	Part Name	Material
1	Body	316 Stainless Steel - CF8M
2	Disc	316 Stainless Steel - CF8M
3	Nut	304 Stainless Steel
4	Arm Hinge	316 Stainless Steel
5	Hinge Pin	316 Stainless Steel
6	Gasket	RTFE (Grafoil + 316 Sheet*)
7	Washer	304 Stainless Steel
8	Bolt	304 Stainless Steel
9	Cover	316 Stainless Steel - CF8M
10	Bolt	304 Stainless Steel

*Optional

Series 25116 150# FLANGED STAINLESS STEEL CHECK VALVE

16" - 24" Dimensions, Parts & Materials



Dimensions (Inches)

Size	A	B	C	D	E	F	G	H	Num of Bolt Holes
16	15.24	34.00	1.44	23.50	21.25	18.25	1.44	1.125	24
18	17.24	38.50	1.56	25.00	22.75	21.00	1.56	1.25	24
20	19.25	38.50	1.69	27.50	25.00	23.00	1.69	1.25	24
24	23.27	51.00	1.88	32.00	29.50	27.25	1.88	1.25	24

No.	Part Name	Material
1	Body	316 Stainless Steel - CF8M
2	Seal Facing	316 Stainless Steel - CF8M
3	Disc	316 Stainless Steel - CF8M
4	Hinge	316 Stainless Steel
5	Hinge Pin	316 Stainless Steel
6	Gasket	RTFE (Grafoil + 316 Sheet*)
7	Cover	316 Stainless Steel - CF8M
8	Cover Bolt	B8 Stainless Steel
9	Cover Nut	Grade 8 Nut

*Optional



Valves, Automation & Controls

Series 25116 150# FLANGED STAINLESS STEEL CHECK VALVE

Technical Information

Temperature °F	Working Pressure psi
-20 to 100	275
200	235
300	215
400	195
500	170
600	140
650	125
700	110
750	95
800	80
850	65
900	50
950	35
1000	20

*Standard PTFE seals limited to 450°F, over 450°F use graphite.

Size (in)	Weight* (Lbs)	Cracking Pressure* (PSI)
1/2	4	0.02
3/4	4	0.02
1	6	0.02
1 1/2	10	0.02
2	17	0.02
2 1/2	26	0.03
3	32	0.02
4	62	0.03
5	83	0.03
6	104	0.03
8	168	0.03
10	296	0.04
12	431	0.06
14	859	0.06
16	1257	0.04
18	1466	0.05
20	1984	0.05
24	2996	0.06

* For Reference Only

How to Order

Size		Series	Class	Ends	Body Material	Options
1/2	6	25	1	150	1 Flange	G Graphite Bonnet Seal*
3/4	8				2 Butt-weld*	
1	10					
1-1/2	12					
2	14*					
2-1/2	16*					
3	18*					
4	20*					
5	24*					

*POA

Example: 3 - 25 - 1 - 1 - 6 = 3-25-1-1-6