



Valves, Automation & Controls

Series 17 BUTTERFLY VALVE

Design Features

- 200 PSI Rating (2" - 12")
150 PSI Rating (14" - 48")
- Epoxy Coated Ductile Iron Body
- 416 Stainless Steel Stem
- Pinless Disc & Stem Design (2" - 12")
- Bi-directional
- Suitable for Dead End Service (lug only)
- For Use with Class 125 or 150 Flanges
- Can be Used with ASME B16.5 Flanges
with out Separation Gaskets
- ISO 5211 Mounting Pad
- MSS SP-25 Markings
- MSS SP-67
- API 609



USA 800-766-0076

Fax 323-890-4456

www.smithcooper.com

www.sharpevalves.com

Los Angeles, CA

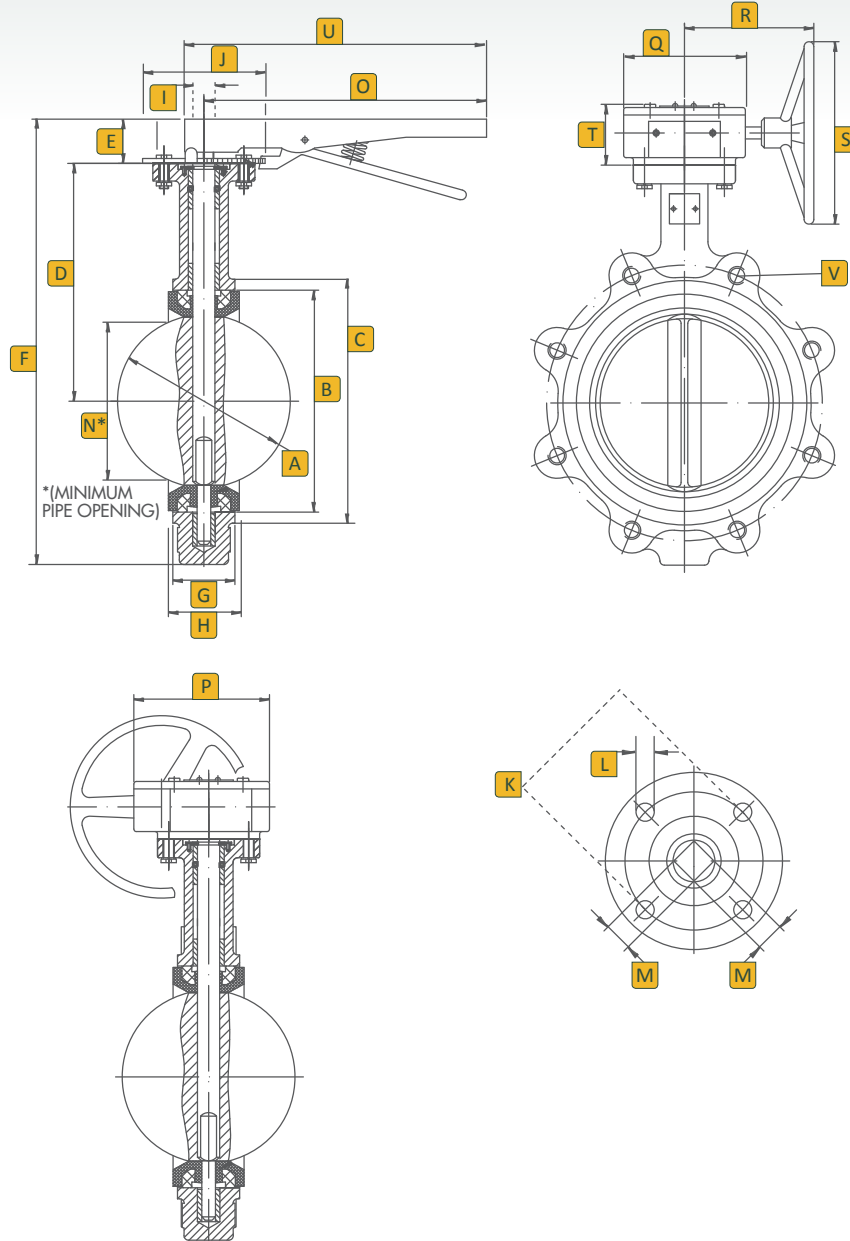
Chicago, IL

Atlanta, GA

Vancouver, WA

Houston, TX

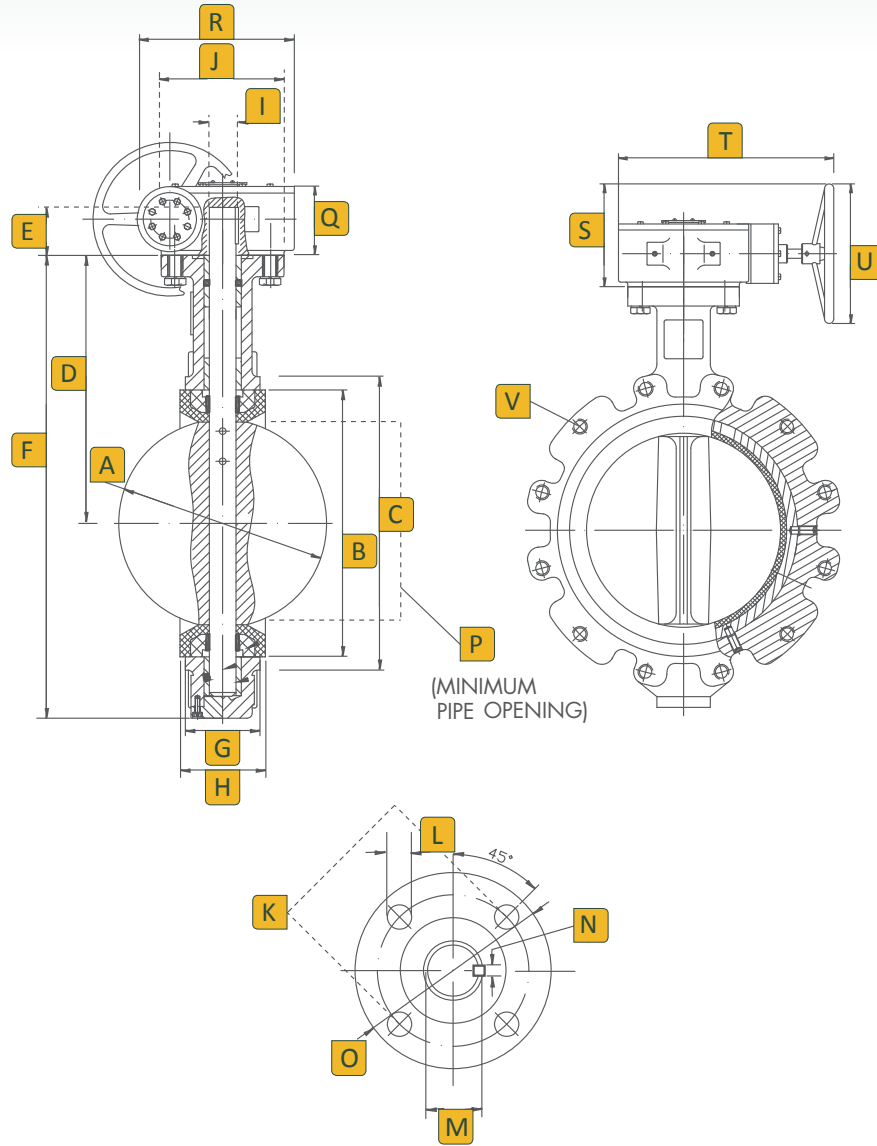
2" - 12" Dimensions



Dimensions (Inches)

Size	A	B	C	D	E	F	G	H	I	J	K	L	M	N	O	P	Q	R	S	T	U	V Lug	V Wafer
2	2.08	3.00	3.50	6.33	1.26	10.74	1.65	1.77	0.49	2.56	1.96	0.27	0.35	1.27	6.39	3.90	4.13	6.10	5.90	2.67	7.21	5/8-11 UNC	0.74
2-1/2	2.53	3.50	4.25	6.89	1.26	11.65	1.76	1.87	0.49	2.56	1.96	0.27	0.35	1.81	10.50	3.90	4.13	6.10	5.90	2.67	11.36	5/8-11 UNC	0.74
3	3.10	4.01	4.72	7.12	1.26	12.12	1.78	1.93	0.49	2.56	1.96	0.27	0.35	2.53	10.50	3.90	4.13	6.10	5.90	2.67	11.36	5/8-11 UNC	0.74
4	4.09	5.31	5.90	7.87	1.26	13.62	2.05	2.15	0.62	3.54	2.76	0.39	0.43	3.39	10.50	3.90	4.13	6.10	5.90	2.67	11.36	5/8-11 UNC	0.74
5	4.85	6.26	7.12	8.38	1.26	14.64	2.14	2.28	0.74	3.54	2.76	0.39	0.55	4.35	10.50	3.90	4.13	6.10	5.90	2.67	11.36	3/4-10 UNC	0.88
6	6.12	7.41	8.18	8.89	1.26	15.63	2.19	2.30	0.74	3.54	2.76	0.39	0.55	5.30	10.50	3.90	4.13	6.10	5.90	2.67	11.36	3/4-10 UNC	0.88
8	7.97	9.37	10.23	10.23	1.77	18.89	2.38	2.49	0.87	4.92	4.01	0.47	0.67	7.57	14.21	5.61	6.02	8.74	11.81	2.67	15.63	3/4-10 UNC	0.88
10	9.86	11.51	12.59	11.49	1.77	21.26	2.58	2.75	1.12	4.92	4.01	0.47	0.86	9.51	19.64	5.61	6.02	8.74	11.81	2.67	21.06	7/8-9 UNC	1.00
12	11.87	13.54	14.76	13.26	1.77	22.80	3.02	3.15	1.24	5.51	4.01	0.47	0.86	11.48	19.64	6.24	6.37	8.38	11.81	2.67	21.06	7/8-9 UNC	1.00

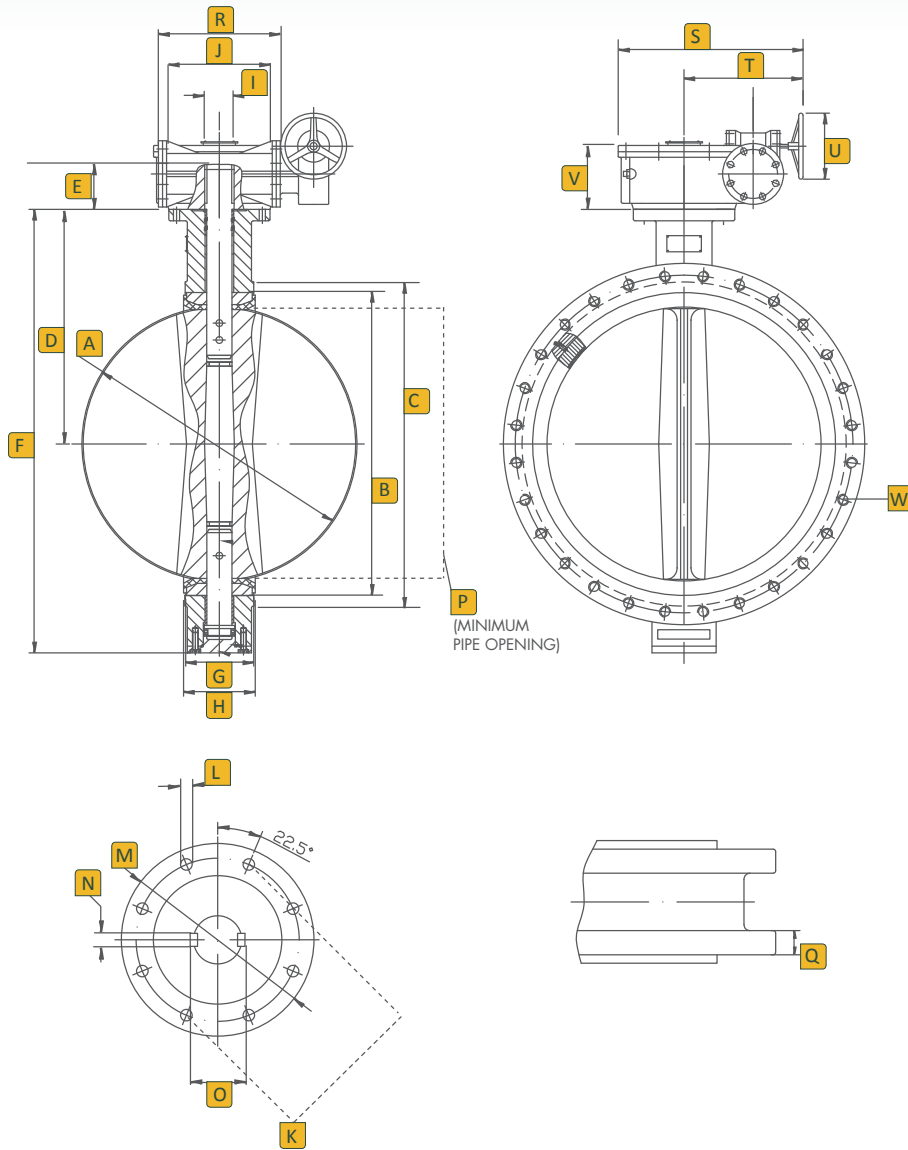
14" - 24" Dimensions



Dimensions (Inches)

Size	A	B	C	D	E	F	G	H	I	J	K	L	M	N	O	P	Q	R	S	T	U	V Lug	V Wafer
14	13.12	14.77	15.94	14.49	1.77	25.00	3.01	3.13	1.25	5.51	4.01	0.47	1.36	0.315	5.51	12.68	3.18	7.78	7.44	11.57	11.81	1-8 UNC	1.11
16	15.34	17.30	18.50	15.75	2.01	27.91	3.37	3.54	1.30	7.56	5.51	0.70	1.42	0.394	7.75	14.96	4.72	11.32	8.27	14.92	11.81	1-8 UNC	1.11
18	17.34	19.31	20.51	16.61	2.01	29.53	4.11	4.29	1.49	7.56	5.51	0.70	1.61	0.394	7.75	16.85	4.72	11.32	8.27	14.92	11.81	1-1/8-7 UNC	1.25
20	19.35	21.07	22.24	18.90	2.52	33.11	5.13	5.31	1.61	7.56	5.51	0.70	1.73	0.394	7.75	18.62	4.88	14.21	10.79	14.21	11.81	1-1/8-7 UNC	1.25
24	23.32	25.74	27.28	22.12	2.76	40.22	5.96	6.14	1.99	10.86	6.49	0.86	2.15	0.630	10.86	22.52	5.08	16.42	10.98	16.42	11.81	1-1/4-7 UNC	1.38

30" - 48" Dimensions



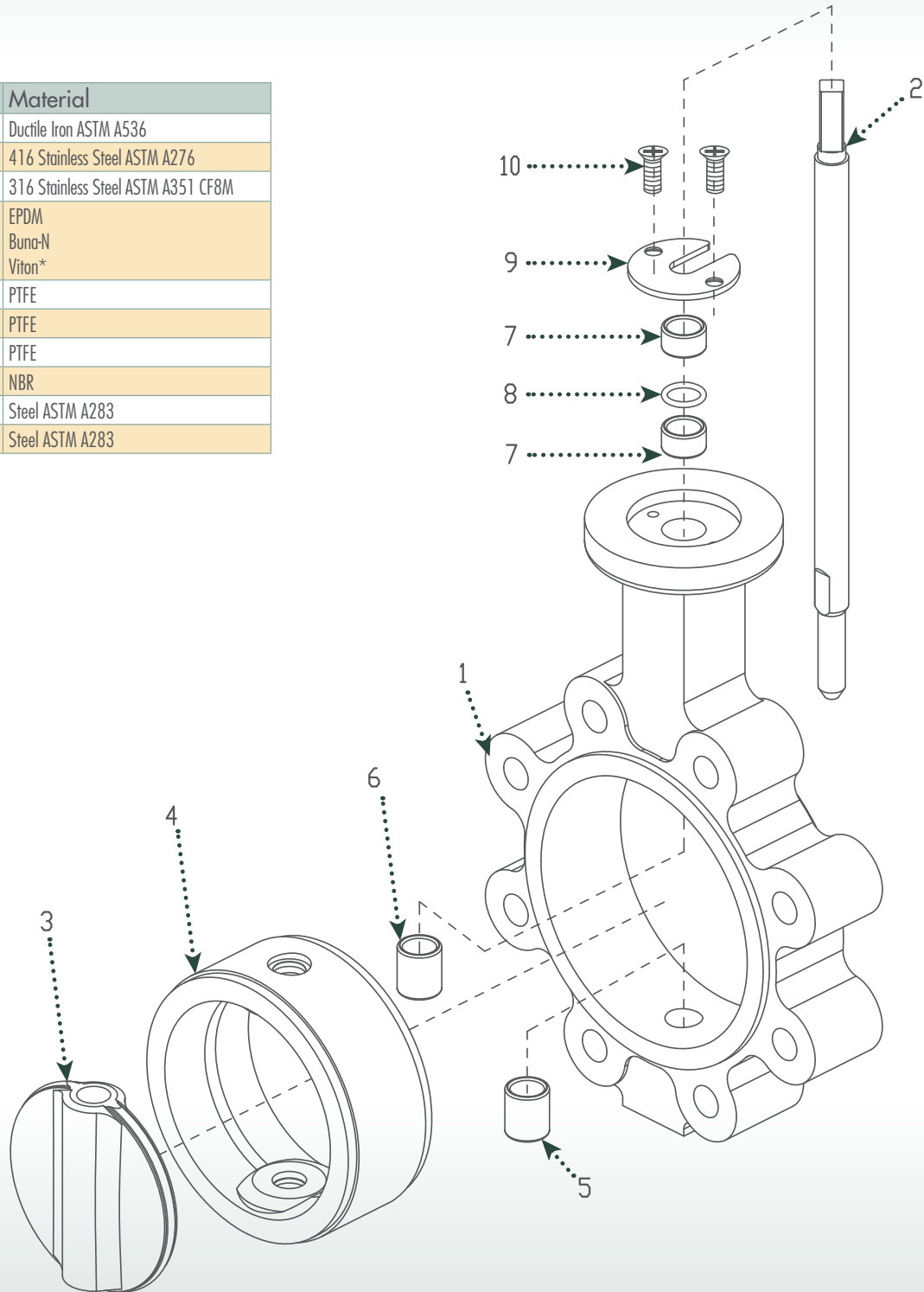
Dimensions (Inches)

Size	A	B	C	D	E	F	G	H	I	J	K	L	M	N	O	P	Q	R	S	T	U	V	W Lug
30	29.29	31.29	38.75	25.98	2.59	48.03	6.57	6.81	2.49	11.81	10	0.708	11.81	0.709	2.81	28.56	1.38	13.19	11.81	13.19	15.74	9.13	1-1/4-7 UNC
36	34.05	37.28	46.00	28.34	4.64	54.17	7.99	8.30	2.95	11.81	10	0.708	11.81	0.787	3.31	33.09	1.65	14.05	13.94	14.05	17.71	7.51	1-1/2-6 UNC
42	40.55	44.27	53.00	33.78	5.90	64.37	9.88	10.27	3.74	11.81	11.73	0.866	13.77	0.984	4.13	39.33	1.81	17.72	19.68	17.72	17.71	9.92	1-1/2-6 UNC
48	45.66	49.77	59.50	37.04	5.90	71.05	10.86	11.26	4.13	13.78	11.73	0.866	13.77	1.102	4.61	44.35	1.97	22.95	28.50	22.95	19.68	11.69	1-1/2-6 UNC

Parts & Materials

No.	Part Name	Material
1	Body	Ductile Iron ASTM A536
2	Shaft	416 Stainless Steel ASTM A276
3	Disc	316 Stainless Steel ASTM A351 CF8M
4	Seat	EPDM Buna-N Viton*
5	Lower Bushing	PTFE
6	Middle Bushing	PTFE
7	Upper Bushing	PTFE
8	O-Ring	NBR
9	Retainer	Steel ASTM A283
10	Retainer Bolts	Steel ASTM A283

*Optional





Valves, Automation & Controls

Series 17 BUTTERFLY VALVE

Technical Information

Size	Gear Op			CV									Torque			
	Output in. -Lbs	Ratio	Gear Box	10°	20°	30°	40°	50°	60°	70°	80°	90°	50 psi	100 psi	150 psi	200 psi
2	1504	24:1	1 Stage	0.1	5	12	24	45	64	90	125	135	70	105	108	115
2-1/2	1504	24:1	1 Stage	0.2	8	20	37	65	98	144	204	220	100	126	136	152
3	1504	24:1	1 Stage	0.3	12	22	39	70	116	183	275	302	150	176	192	204
4	1504	24:1	1 Stage	0.5	17	36	78	139	230	364	546	600	230	260	328	352
5	1504	24:1	1 Stage	0.8	29	61	133	237	392	620	930	1022	350	465	512	548
6	1504	24:1	1 Stage	2	45	95	205	366	605	958	1437	1579	460	680	831	907
8	6195	30:1	1 Stage	3	89	188	408	727	1202	1903	2854	3136	740	1110	1527	1697
10	6195	30:1	1 Stage	4	151	320	694	1237	2047	3240	4859	5340	1330	1880	2530	2857
12	12620	50:1	1 Stage	5	234	495	1072	1911	3162	5005	7507	8250	2260	3150	3794	4338
14	12620	50:1	1 Stage	6	338	715	1549	2761	4568	7230	10844	11917	4070	4620	4870	5527
16	22126	80:1	1 Stage	8	464	983	2130	3797	6282	9942	14913	16388	5400	6285	6685	7484
18	22126	80:1	1 Stage	11	615	1302	2822	5028	8320	13168	19752	21705	6300	8750	8958	10010
20	22126	14:1	2 Stage	14	791	1674	3628	6465	10698	16931	25396	27908	8000	10800	11950	12667
24	35403	16:1	2 Stage	22	1222	2587	5605	9989	16528	26157	39236	43116	14600	16375	18680	20361
30	70806	16:1	2 Stage	35	1912	4050	8142	13152	20411	31226	47562	63328	-	-	33336	-
36	132761	16:1	2 Stage	60	3021	6063	11055	17449	26086	39731	60895	86375	-	-	46528	-
42	221268	16:1	2 Stage	93	4601	9235	16838	26575	39783	60592	92868	131725	-	-	79684	-
48	354030	20:1	2 Stage	121	5981	12001	21890	34548	51718	78770	120728	171243	-	-	111112	-

Seat Material	Temperature Rating °F
EPDM (2" - 16")	-30 to +275
EPDM (18" - 48")	-30 to +225
Buna-N	+10 to +180
Viton	0 to +275

How to Order

Size		Style		Body		Disc		Shaft		Seat		Operator		Options	
2	14	17W	Wafer	1	Cast Iron*	6	316 Stainless Steel	4	416 Stainless Steel	1	EPDM	1	10 Position	B	Stem Extension*
2-1/2	16	17L	Lug	2	Ductile Iron (A356)	4	Nylon Coated Ductile Iron*			2	Buna-N		Lockable Lever Handle	D	Square Nut*
3	18	17F	Flanged*							5	Viton®*	2	Gear Operator		
4	20											8	Bare Stem		
5	24														
6	30*														
8	36*														
10	42*														
12	48*														

*POA

Example: 14 - 17W - 2 - - 6 - - 4 - - 1 - - 2 = 14-17W-2-6-4-1-2