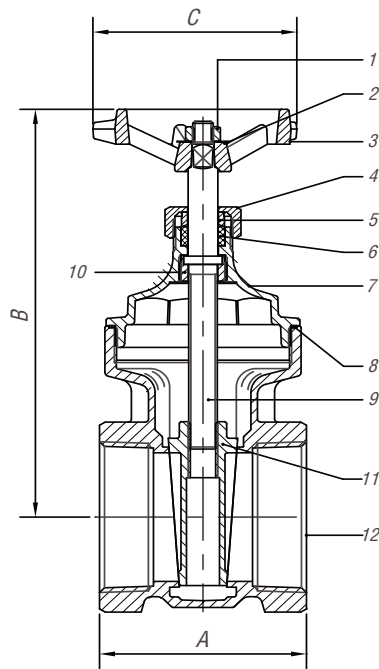


LEAD-FREE BRONZE GATE VALVE, THREADED



- Certified to SWDA and California AB1953
- Certified to NSF/ANSI 61-8
- 300 lb. CWP, 150 lb. WSP
- Full port (1/2 - 3)
- Solid wedge disc
- Screwed in bonnet
- Non-rising stem
- Conforms to MSS SP-80
- Cast iron star handle
- ISO 9001:2008 manufacturer



| No. | Part | Material |
|-----|---------------|----------------------|
| 1 | Wheel Nut | Hot Rolled SAE 1010R |
| 2 | Name Plate | Aluminium |
| 3 | Hand-Wheel | Cast Iron |
| 4 | Packing Nut | Brass B16 C36000 |
| 5 | Gland Ring | Brass B16 C36000 |
| 6 | Gland Packing | Graphite |
| 7 | Bonnet | Bronze B584 C84400 |
| 8 | Gasket | Fibre |
| 9 | Stem | Brass B16 C36000 |
| 10 | Locknut | Brass B16 C36000 |
| 11 | Disc | Bronze B584 C84400 |
| 12 | Body | Bronze B584 C84400 |

| Size IN | Part Number | Weight LB | A IN | B IN | C IN |
|---------|-------------|-----------|------|------|------|
| 1/2 | 01719101GL | 0.6 | 1.71 | 2.92 | 2.17 |
| 3/4 | 01719101IL | 1.0 | 1.81 | 2.92 | 2.17 |
| 1 | 01719101KL | 1.3 | 2.12 | 3.70 | 2.36 |
| 1-1/4 | 01719101LL | 1.9 | 2.25 | 4.57 | 2.96 |
| 1-1/2 | 01719101ML | 2.3 | 2.44 | 4.57 | 2.96 |
| 2 | 01719101NL | 3.5 | 2.70 | 6.07 | 3.31 |

USA 800-766-0076

Fax 323-890-4456

www.smithcooper.com

Los Angeles, CA

Chicago, IL

Atlanta, GA

Vancouver, WA

Houston, TX