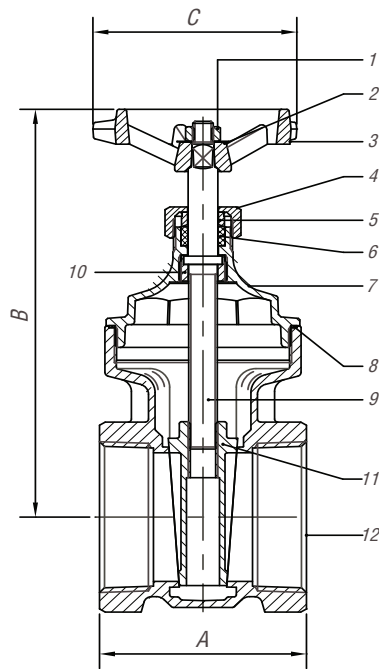


BRONZE GATE VALVE, THREADED



- 300 lb. CWP, 150 lb. WSP
- Full port (1/2 - 3)
- ASTM B-62 Bronze body & disc
- Solid wedge disc
- Screwed in bonnet
- Non-rising stem
- Conforms to MSS SP-80
- Cast iron star handle
- ISO 9001:2008 manufacturer

Note: Product contains brass which does not meet federal and state requirements for drinking water.



No.	Part	Material
1	Wheel Nut	Hot Rolled SAE 1010R
2	Name Plate	Aluminium
3	Hand-Wheel	Cast Iron
4	Packing Nut	Brass B16 C36000
5	Gland Ring	Brass B16 C36000
6	Gland Packing	Graphite
7	Bonnet	Bronze B584 C83600
8	Gasket	Fibre
9	Stem	Brass B16 C36000
10	Locknut	Brass B16 C36000
11	Disc	Bronze B584 C83600
12	Body	Bronze B584 C83600

Size IN	Part Number	Weight LB	A IN	B IN	C IN
1/2	01719101G	0.6	1.71	2.92	2.17
3/4	01719101I	1.0	1.81	2.92	2.17
1	01719101K	1.3	2.12	3.70	2.36
1-1/4	01719101L	1.9	2.25	4.57	2.96
1-1/2	01719101M	2.3	2.44	4.57	2.96
2	01719101N	3.5	2.70	6.07	3.31
2-1/2	01719101P	6.7	3.70	7.80	3.94
3	01719101Q	9.1	4.02	8.94	4.41
4	01719101T	15.7	4.53	10.01	5.28

USA 800-766-0076

Fax 323-890-4456

www.smithcooper.com

Los Angeles, CA

Chicago, IL

Atlanta, GA

Vancouver, WA

Houston, TX