

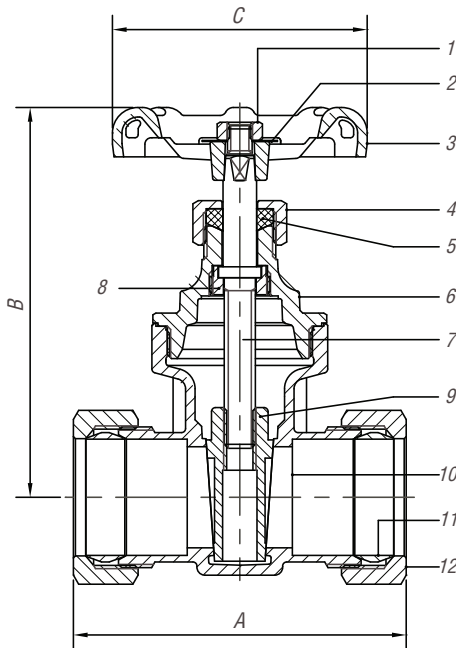
BRASS GATE VALVE, COMPRESSION



- 200 lb. CWP
- Cast brass
- Full port
- Non-rising stem
- Certified to NSF/ANSI 61-8
- ISO 9001:2008 manufacturer

Note: Product contains brass which does not meet federal and state requirements for drinking water.

WARNING: Cancer and Reproductive Harm - www.P65Warnings.ca.gov



No.	Part	Material
1	Wheel Nut	Hot Rolled SAE 1010R
2	Name Plate	Aluminium
3	Hand-Wheel	Cast Iron
4	Packing Nut	Brass B16 C36000
5	Gland Packing	PTFE
6	Bonnet	Brass B584 C85700
7	Stem	Brass B16 C36000
8	Locknut	Brass B16 C36000
9	Disc	Brass B584 C85700
10	Body	Brass B584 C85700
11	Sleeve	Brass B16 C36000
12	Packing Nut	Brass B584 C85700

USA 800-766-0076

Fax 323-890-4456

www.smithcooper.com

Los Angeles, CA

Chicago, IL

Atlanta, GA

Vancouver, WA

Size IN	Part Number	Weight LB	A IN	B IN	C IN
1/2	01718130G	0.8	2.72	2.92	2.09
3/4	01718130I	1.0	2.92	3.31	2.13
1	01718130K	1.4	3.23	3.90	2.48