

CI WAFER / DI LUG BUTTERFLY VALVES

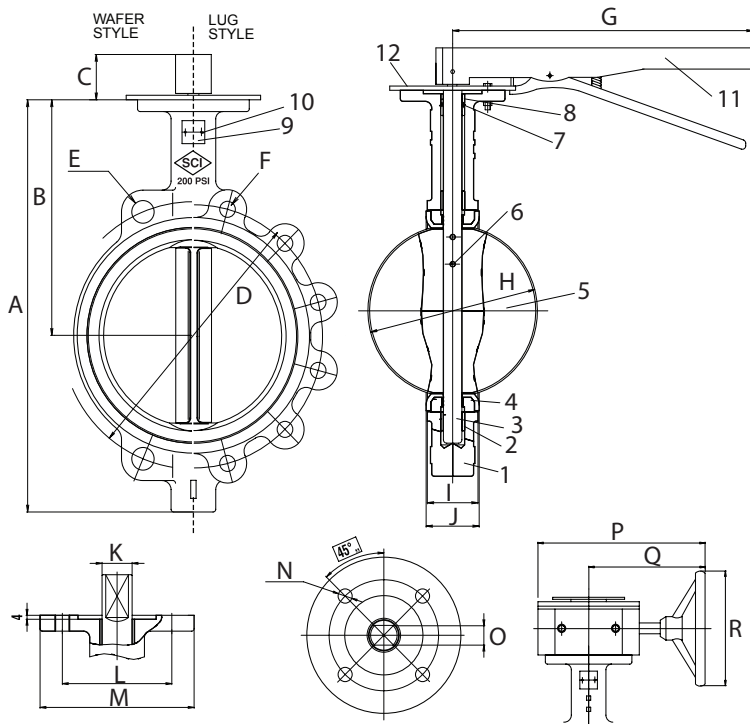


- Wafer Body - Cast Iron
- Lug Body - Ductile Iron
- 200 psi 2"-12" / 150 psi 14"-16"
- Buna-N Seat up to 180°F/82°C
- EPDM Seat up to 220°F/104°C
- Stainless steel stem
- Disc: ductile iron-nickel plated, aluminum bronze or stainless steel
- Phenolic backed cartridge seat
- 24", 36", 48", 60" & 72" extensions
- Fusion bonded epoxy coating
- MSS SP-67/API 609
- ISO 9001:2008 factory
- Installs between ANSI Class 125/150 flanges
- Top flange: ISO 5211
- Not designed for dead-end or steam service

Size IN	Torque				Wafer Weight		Lug Weight	
	75 psi IN / LB	100 psi IN / LB	150 psi IN / LB	200 psi IN / LB	Lever LB	Gear LB	Lever LB	Gear LB
2	135	140	160	170	6.6	18.7	11.5	22.7
2-1/2	145	150	170	190	8.2	20.3	12.3	23.6
3	225	230	240	260	9.0	21.2	12.8	24.0
4	370	390	410	450	11.9	24.0	22.0	33.3
5	570	600	650	690	17.2	28.7	28.7	39.9
6	890	940	1,040	1,100	19.0	30.4	31.1	42.3
8	1,600	1,700	1,900	2,100	32.0	47.8	48.1	61.7
10	2,560	2,760	3,160	3,500	48.5	60.6	70.1	83.8
12	3,800	4,100	4,750	5,400	80.5	112.0	113.0	147.7
14	4,800	5,150	6,000	-	-	134.0	-	199.0
16	6,250	7,000	8,300	-	-	181.0	-	265.0

USA 800-766-0076
 Fax 323-890-4456
 www.smithcooper.com
 Los Angeles, CA
 Chicago, IL
 Atlanta, GA
 Vancouver, WA
 Houston, TX

CI WAFER / DI LUG BUTTERFLY VALVES



No.	Part	Material
1	Wafer Body	Cast Iron ASTM A126
1	Lug Body	Ductile Iron ASTM A536
2	Bushing	PTFE
3	Stem	ASTM A582 SS416 ASTM A276 SS316 w/ SS316 Disc
4	Liner	Buna-N or EPDM
5	Disc	Aluminium Bronze ASTM C954 Ductile Iron Nickel Plated ASTM A536 SS316 / CF8M ASTM A276
6	Taper Pin	SS316 ASTM A276
7	O-ring	Buna-N or EPDM
8	Bushing	PTFE
9	Plate Rivet	Aluminium
10	Name Plate	Aluminium
11	Handle	Malleable Iron
12	Throttle Plate	Plated Steel

Size	A	B	C	D	E	F	G	H	I	J	K	L	M	N	O	P	Q	R	Cap Screw Length (lug)
IN	IN	IN	IN	IN	IN		IN	IN	IN	IN	IN	IN	IN	IN	IN	IN	IN	IN	IN
2	9.5	6.3	1.3	4.75	0.75	4 x 5/8"-11 UNC	10.5	2.1	1.7	1.8	0.50	1.97	2.6	0.28	0.40	7.9	5.8	5.9	1.25
2-1/2	10.4	6.9	1.3	5.50	0.75	4 x 5/8"-11 UNC	10.5	2.5	1.8	1.9	0.50	1.97	2.6	0.28	0.40	7.9	5.8	5.9	1.50
3	10.9	7.1	1.3	6.00	0.75	4 x 5/8"-11 UNC	10.5	3.1	1.8	1.9	0.50	1.97	2.6	0.28	0.40	7.9	5.8	5.9	1.50
4	12.4	7.9	1.3	7.50	0.75	8 x 5/8"-11UNC	10.5	4.1	2.1	2.2	0.62	2.76	3.5	0.39	0.47	7.9	5.8	5.9	1.75
5	13.4	8.4	1.3	8.50	0.88	8 x 3/4"-10UNC	10.5	4.9	2.1	2.3	0.74	2.76	3.5	0.39	0.55	7.9	5.8	5.9	1.75
6	14.4	8.9	1.3	9.50	0.88	8 x 3/4"-10UNC	10.5	6.1	2.2	2.3	0.74	2.76	3.5	0.39	0.55	7.9	5.8	5.9	2.00
8	17.1	10.2	1.6	11.75	0.88	8 x 3/4"-10UNC	14.1	8.0	2.4	2.5	0.87	4.02	4.9	0.47	0.66	12.4	9.4	11.8	2.25
10	19.5	11.5	1.6	14.25	1.00	12 x 7/8"- 9UNC	14.1	9.9	2.6	2.8	1.12	4.02	4.9	0.47	0.86	12.4	9.4	11.8	2.25
12	22.8	13.3	1.6	17.00	1.00	12 x 7/8"- 9UNC	14.1	11.9	3.0	3.2	1.24	4.02	4.9	0.47	0.94	12.2	8.9	11.8	2.50
14	25.0	14.5	1.8	18.75	1.12	12 x 1"- 8UNC	n/a	13.1	3.0	3.1	1.24	4.02	4.9	0.47	0.94	12.2	8.9	11.8	2.50
16	27.9	15.7	2.0	21.25	1.12	16 x 1"- 8UNC	n/a	15.3	3.4	3.5	1.31	5.51	6.9	0.71	1.10	15.7	10.6	11.8	2.50

Example Fig: 0160WSEL040

Description: Wafer style - 316 Disc - EPDM Seat - Lever Handle - 4"

Valve Style	Disc Material	Seat	Operator	Size
0160W	S 316 Stainless steel	E EPDM	L 10 Position Lever Handle	020 2
0160L	D Nickel Plated Ductile Iron	N Buna-N	O Gear Operator	024 2-1/2
	A Aluminum Bronze*			030 3
				040 4
				050 5
				060 6
				080 8
				010 10
				012 12
				014 14
				016 16

Example Fig: 0160XT020240

Description: Extension - 2" Valve - 24" Length

Extension Kit	Valve Size	Length
0160XT	020 2	240 24
Extension Kit	024 2-1/2	360 36
	030 3	480 48
	040 4	600 60
	050 5	720 72
	060 6	
	080 8	
	010 10	
	012 12	
	014 14	
	016 16	