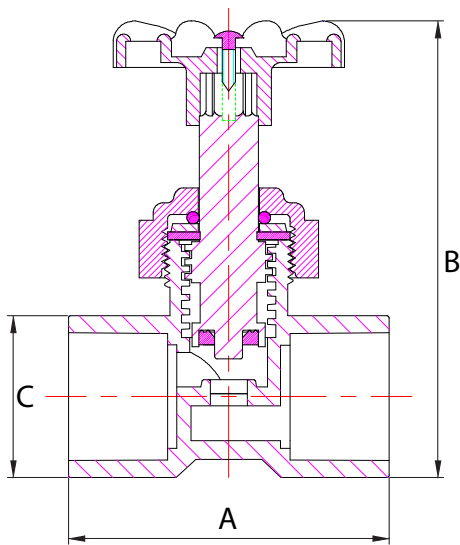


CPVC STRAIGHT STOP VALVE WITH DRAIN, SLIP



- Max 100 psi @ 100°F
- Slip



No.	Part	Material
1	Body	316 Stainless Steel
2	Bonnet	316 Stainless Steel
3	Stem	316 Stainless Steel
4	Gland	316 Stainless Steel
5	Packing	PTFE
6	Body Seal	PTFE
7	Gland Nut	316 Stainless Steel
8	Handle	410 Stainless Steel
9	Fixing Screw	Alloy Steel
10	Disc	316 Stainless Steel

Size IN	Part Number	Weight LB	A IN	B IN	C IN
1/2	0228130G	0.2	2.52	1.28	3.66
3/4	0228130I	0.2	2.68	1.51	3.76

USA 800-766-0076

Fax 323-890-4456

www.smithcooper.com

Los Angeles, CA

Chicago, IL

Atlanta, GA

Vancouver, WA

Houston, TX

# SMITH-COOPER<sup>®</sup> INTERNATIONAL

USA 800-766-0076

Fax 323-890-4456

www.smithcooper.com

Los Angeles, CA

Chicago, IL

Atlanta, GA

Vancouver, WA

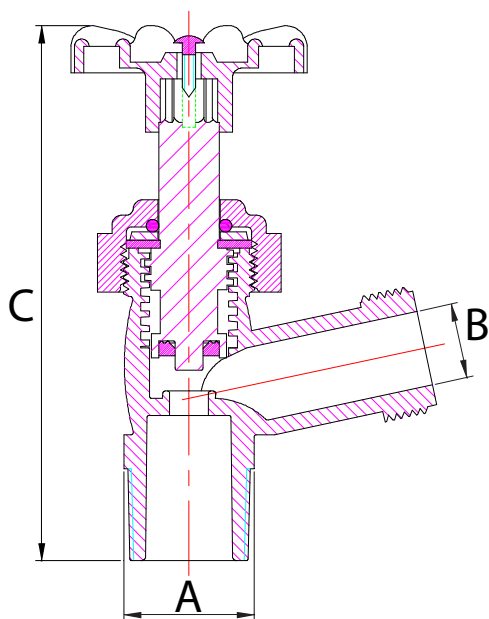
Houston, TX

Series 0227101

## CELCON BOILER DRAIN, MIP



- Max 150 psi @ -20° F to +180° F
- MIP threaded x MHT
- MIP x 3/4" NHT



Size IN	Part Number	Weight LB	A IN	B IN	C IN
1/2	0227101G	0.2	1.20	0.61	4.25
3/4	0227101I	0.2	1.20	0.61	4.25

# SMITH-COOPER<sup>®</sup> INTERNATIONAL

USA 800-766-0076

Fax 323-890-4456

www.smithcooper.com

Los Angeles, CA

Chicago, IL

Atlanta, GA

Vancouver, WA

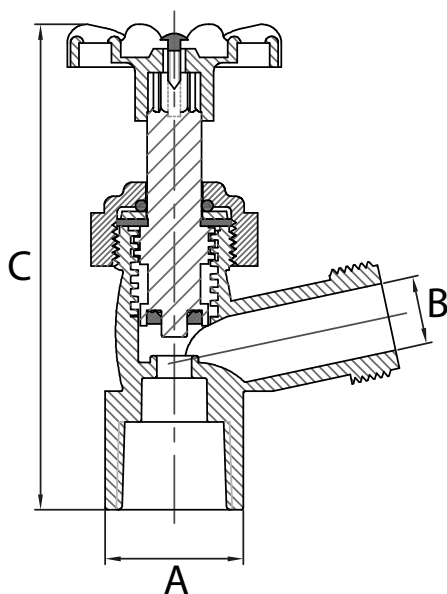
Houston, TX

Series 0227102

## CELCON BOILER DRAIN, SLIP



- Max 150 psi @ -20° F to +180
- Slip x MHT
- 3/4" MHT or NHT°F
- Slip x 3/4" NHT
- IPS

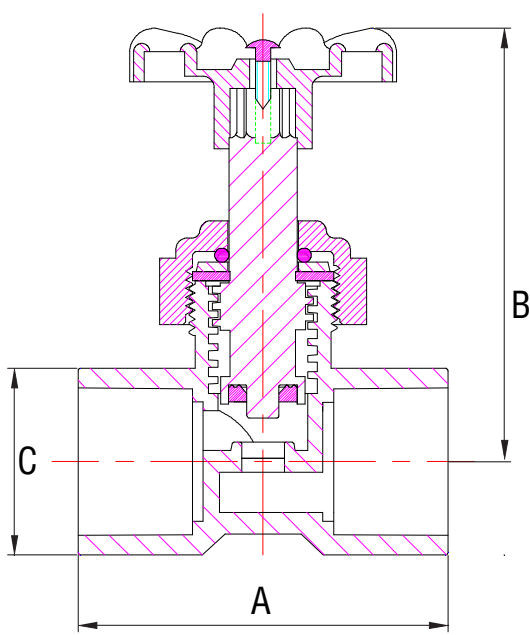


Size IN	Part Number	Weight LB	A IN	B IN	C IN
1/2	0227102G	0.2	1.30	0.61	4.35
3/4	0227102I	0.2	1.31	0.61	4.35

**CELCON STRAIGHT STOP VALVE, FIP**



- Max 150 psi @ -20° F to +180° F
- Threaded
- Female NPT



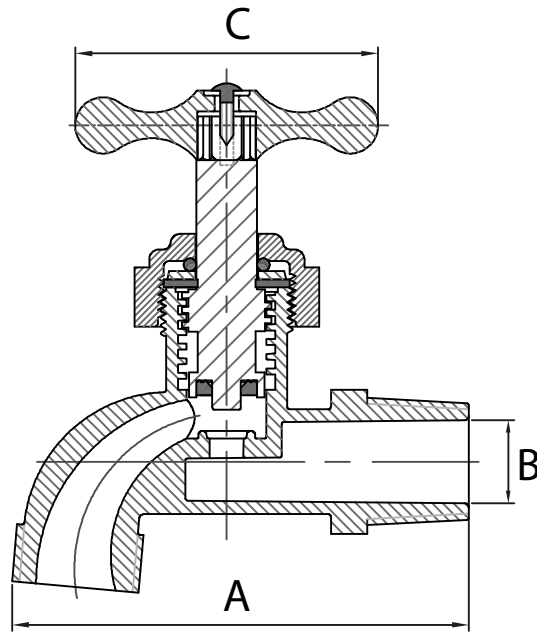
Size IN	Part Number	Weight LB	A IN	B IN	C IN
1/2	0227130G	0.2	2.44	3.62	1.24
3/4	0227130I	0.2	2.44	3.70	1.46

USA 800-766-0076  
 Fax 323-890-4456  
 www.smithcooper.com  
 Los Angeles, CA  
 Chicago, IL  
 Atlanta, GA  
 Vancouver, WA  
 Houston, TX

CELCON No KINK HOSE BIBB, MIP



- Max 150 psi @ -20° F to +180° F
- Male threaded x 3/4" NHT



USA 800-766-0076

Fax 323-890-4456

www.smithcooper.com

Los Angeles, CA

Chicago, IL

Atlanta, GA

Vancouver, WA

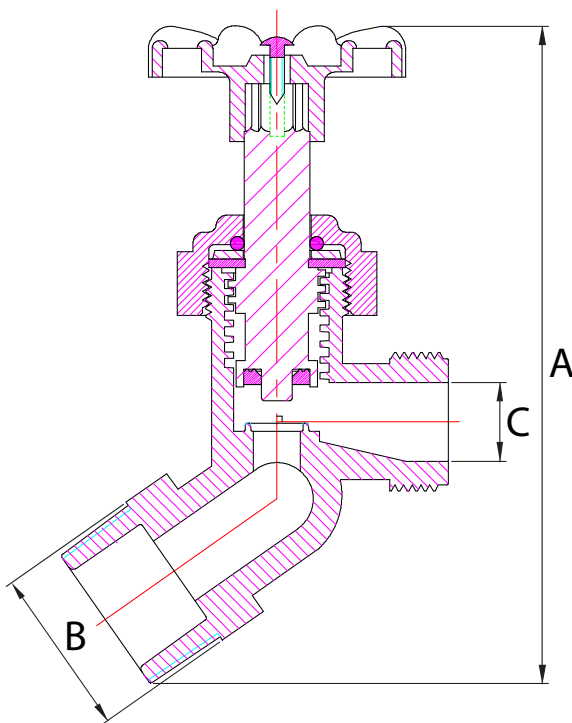
Houston, TX

Size IN	Part Number	Weight LB	A IN	B IN	C IN
1/2	0227160G	0.2	3.71	0.59	2.46
3/4	0227160I	0.2	3.71	0.67	2.46

**CELCON No KINK HOSE BIBB, MIP**



- Max 150 psi @ -20° F to +180° F
- Male threaded x 3/4" NHT



USA 800-766-0076

Fax 323-890-4456

www.smithcooper.com

Los Angeles, CA

Chicago, IL

Atlanta, GA

Vancouver, WA

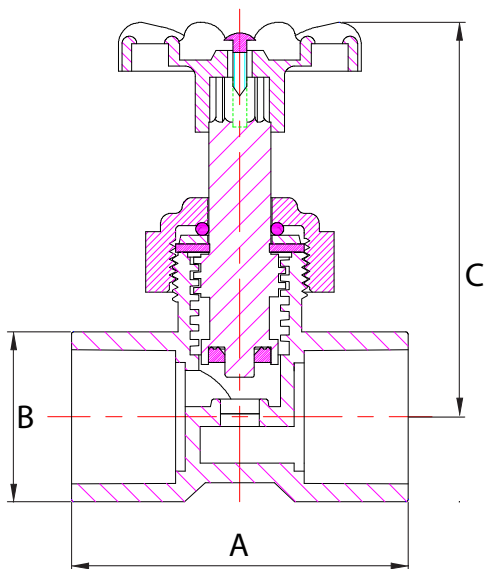
Houston, TX

Size IN	Part Number	Weight LB	A IN	B IN	C IN
1/2	0227161G	0.2	4.72	1.16	0.58
3/4	0227161I	0.2	4.72	1.43	0.58

CPVC STRAIGHT STOP VALVE, SLIP



- Max 100 psi @ 180° F
- Slip x Slip
- CTS



USA 800-766-0076

Fax 323-890-4456

www.smithcooper.com

Los Angeles, CA

Chicago, IL

Atlanta, GA

Vancouver, WA

Houston, TX

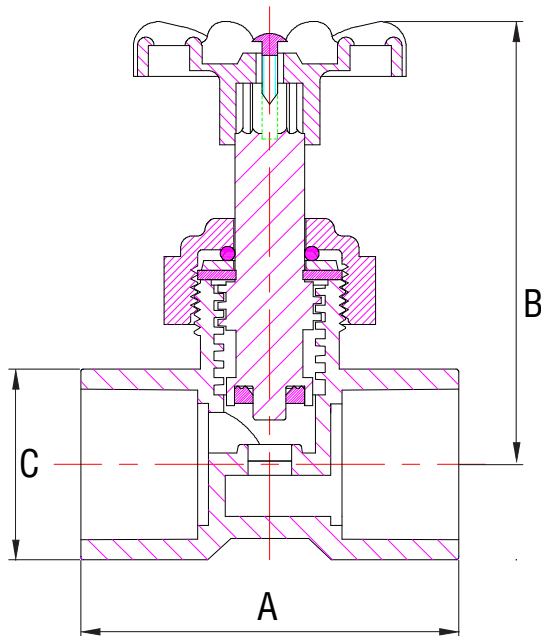
Size IN	Part Number	Weight LB	A IN	B IN	C IN
1/2	0228130G	0.2	2.52	1.28	3.66
3/4	0228130I	0.2	2.68	1.51	3.76

Series 0226130

**PVC STRAIGHT STOP, SLIP**



- Max 100 psi @ 73° F
- Slip x Slip, CTS



USA 800-766-0076

Fax 323-890-4456

www.smithcooper.com

Los Angeles, CA

Chicago, IL

Atlanta, GA

Vancouver, WA

Houston, TX

Size IN	Part Number	Weight LB	A IN	B IN	C IN
1/2	0226130G	0.2	2.52	3.66	1.28
3/4	0226130I	0.2	2.68	3.76	1.51