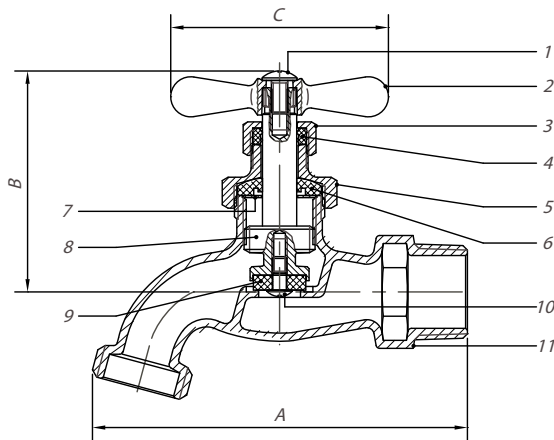


BRASS NO KINK HOSE BIBB, MIP



- 125 lb. CWP
- NPT x 3/4" NHT
- Cast brass
- Heavy duty configuration
- Green tee handle
- Certified to NSF/ANSI 61-8
- ISO 9001:2008 manufacturer



No.	Part	Material
1	Handle Bolt	Hot Rolled SAE 1010R
2	Handle	Zinc
3	Packing Nut	Brass B16 C36000
4	Gland Packing	NBR
5	Bonnet	Brass B16 C36000
6	Packing	NBR
7	Washer	304 Stainless Steel
8	Stem	Brass B584 C85710
9	Seat Packing	NBR
10	Seat Screw	Brass B-124, C37700
11	Body	Brass B584 C85710

USA 800-766-0076

Fax 323-890-4456

www.smithcooper.com

Los Angeles, CA

Chicago, IL

Atlanta, GA

Vancouver, WA

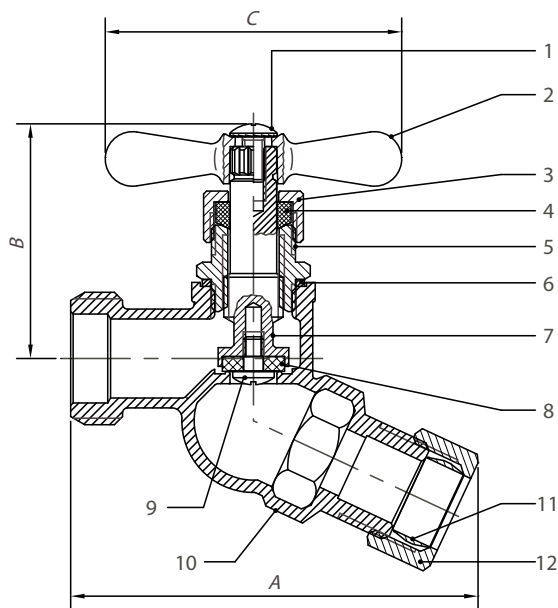
Houston, TX

Size IN	Part Number	Weight LB	A IN	B IN	C IN
1/2	0190166G	0.6	4.10	2.36	2.36
3/4	0190166I	0.6	4.13	2.36	2.36

No KINK HOSE BIBB, COMPRESSION



- 125lb. CWP
- NPT x 3/4" NHT
- Cast brass
- Heavy duty construction
- Green tee handle
- Certified to NSF/ANSI 61-8
- ISO 9001:2008 manufacturer



No.	Part	Material
1	Wheel Nut	Hot Rolled SAE 1010R
2	T-Handle	Zinc
3	Packing Nut	Brass B16 C36000
4	Gland Packing	PTFE
5	Bonnet	Brass B16 C36000
6	Packing	Formocon FM090 CF500P
7	Stem	Brass B16 C36000
8	Stem Packing	NBR
9	Seat Screw	304 Stainless Steel
10	Body	Brass B584 C85710
11	Sleeve	Brass B16 C36000
12	Nut	Brass B16 C36000

Size IN	Part Number	Weight LB	A IN	B IN	C IN
1/2	0190167G	0.5	3.27	1.97	2.36

USA 800-766-0076

Fax 323-890-4456

www.smithcooper.com

Los Angeles, CA

Chicago, IL

Atlanta, GA

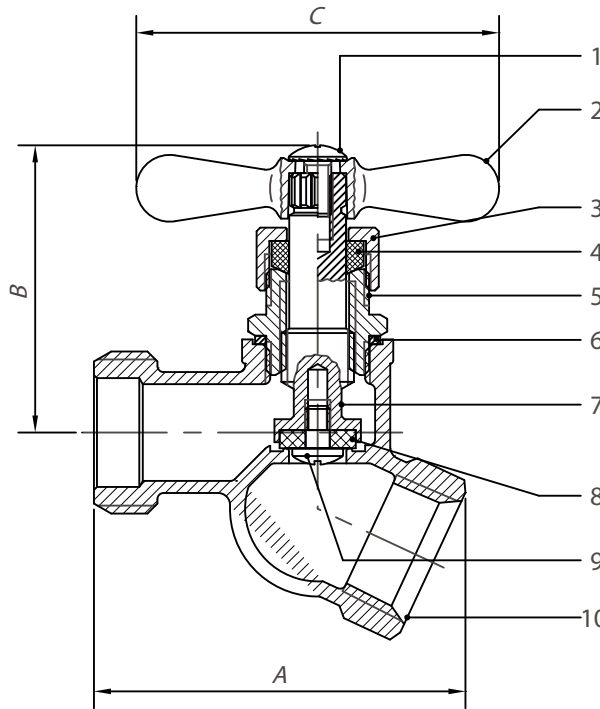
Vancouver, WA

Houston, TX

BRASS NO KINK HOSE BIBB, FIP



- 125 lb. CWP
- NPT x 3/4" NHT
- Cast brass
- Heavy duty construction
- Green tee handle
- Certified to NSF/ANSI 61-8
- ISO 9001:2008 manufacturer



No.	Part	Material
1	Wheel Nut	Hot Rolled SAE 1010R
2	T-Handle	Zinc
3	Packing Nut	Brass B16 C36000
4	Gland Packing	PTFE
5	Bonnet	Brass B16 C36000
6	Packing	Formocon FM090 CF500P
7	Stem	Brass B16 C36000
8	Seat Packing	NBR
9	Seat Screw	304 Stainless Steel
10	Body	Brass B584 C85710

Size IN	Part Number	Weight LB	A IN	B IN	C IN
1/2	0190168G	0.4	2.44	1.97	2.36
3/4	0190168I	0.5	2.50	1.97	2.36

USA 800-766-0076

Fax 323-890-4456

www.smithcooper.com

Los Angeles, CA

Chicago, IL

Atlanta, GA

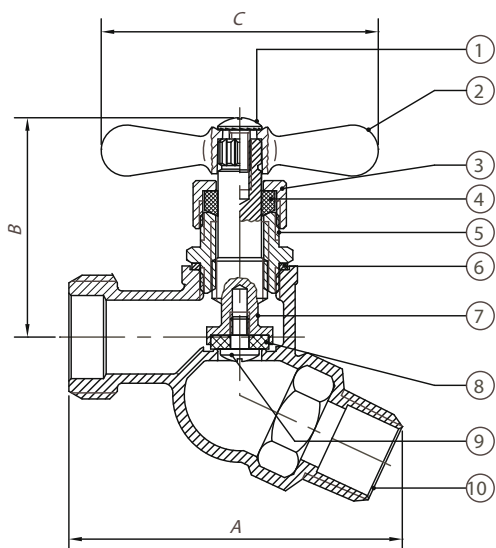
Vancouver, WA

Houston, TX

No KINK HOSE BIBB, MIP THREADED X SWEAT



- 125lb. CWP
- NPT x 3/4" NHT
- Cast brass
- Heavy duty construction
- Green tee handle
- Certified to NSF/ANSI 61-8
- ISO 9001:2008 manufacturer



No.	Part	Material
1	Wheel Nut	Hot Rolled SAE 1010R
2	T-Handle	Zinc
3	Packing Nut	Brass B16 C36000
4	Gland Packing	PTFE
5	Bonnet	Brass B16 C36000
6	Packing	Formocon FM090 CF500P
7	Stem	Brass B16 C36000
8	Seat Packing	NBR
9	Seat Screw	304 Stainless Steel
10	Body	Brass B584 C85710

Size IN	Part Number	Weight LB	A IN	B IN	C IN
1/2	0190169G	0.5	2.88	1.97	2.36
3/4	0190169I	0.5	2.97	1.97	2.36

USA 800-766-0076

Fax 323-890-4456

www.smithcooper.com

Los Angeles, CA

Chicago, IL

Atlanta, GA

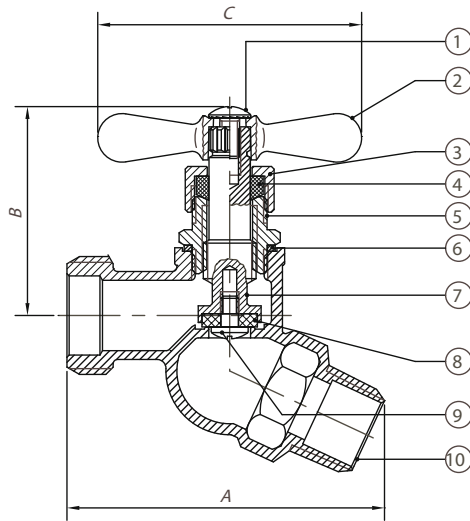
Vancouver, WA

Houston, TX

BRASS NO KINK HOSE BIBB, MIP THREADED X SWEAT



- 125 lb. CWP
- 1/2" & 3/4" sweat x 3/4" NHT
- Cast brass
- Heavy duty construction
- Green tee handle
- Certified to NSF/ANSI 61-8
- ISO 9001:2008 manufacturer



No.	Part	Material
1	Wheel Nut	Hot Rolled SAE 1010R
2	T-Handle	Zinc
3	Packing Nut	Brass B16 C36000
4	Gland Packing	PTFE
5	Bonnet	Brass B16 C36000
6	Packing	Formocon FM090 CF500P
7	Stem	Brass B16 C36000
8	Seat Packing	NBR
9	Seat Screw	304 Stainless Steel
10	Body	Brass B584 C85710

USA 800-766-0076

Fax 323-890-4456

www.smithcooper.com

Los Angeles, CA

Chicago, IL

Atlanta, GA

Vancouver, WA

Houston, TX

Size IN	Part Number	Weight LB	A IN	B IN	C IN
3/4 x 1/2	0190169IG	0.5	2.88	1.97	2.36