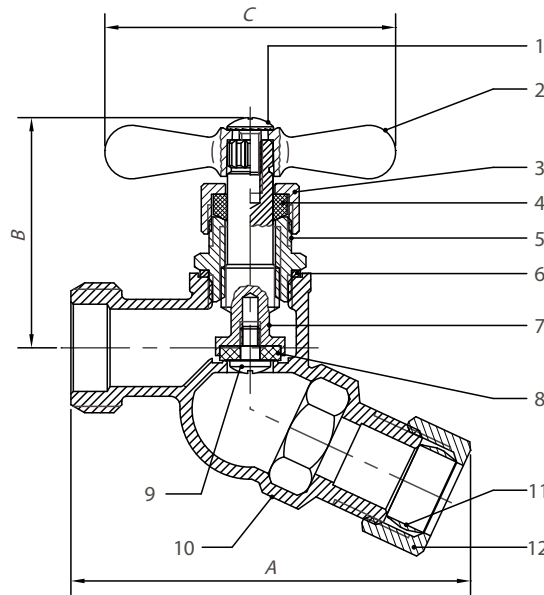


LEAD-FREE BRASS NO KINK HOSE BIBB, COMPRESSION



- California AB1953 lead-free approved
- Meets Federal Safe Water Drinking Act
- 125 lb. CWP
- Compression x 3/4" NHT
- Cast brass
- Heavy duty configuration
- ANSI/NSF 61.8 approved (low lead)
- ISO 9001:2008 manufacturer



No.	Part	Material
1	Wheel Nut	Forged Steel ASTM-AISI-1010
2	T-Handle	Zinc Alloy ASTM B-584, C89550
3	Packing Nut	Brass ASTM B-584, C89550
4	Gland Packing	PTFE
5	Bonnet	Cast Brass ASTM B-584, C89550
6	Packing	Formocon FM090 CF500P
7	Stem	Cast Brass ASTM B-584, C89550
8	Stem Packing	NBR
9	Seat Screw	Brass ASTM B-134, C27000
10	Body	Cast Brass ASTM B-584, C89550
11	Sleeve	Brass B16 C36000
12	Nut	Brass B16 C36000

USA 800-766-0076

Fax 323-890-4456

www.smithcooper.com

Los Angeles, CA

Chicago, IL

Atlanta, GA

Vancouver, WA

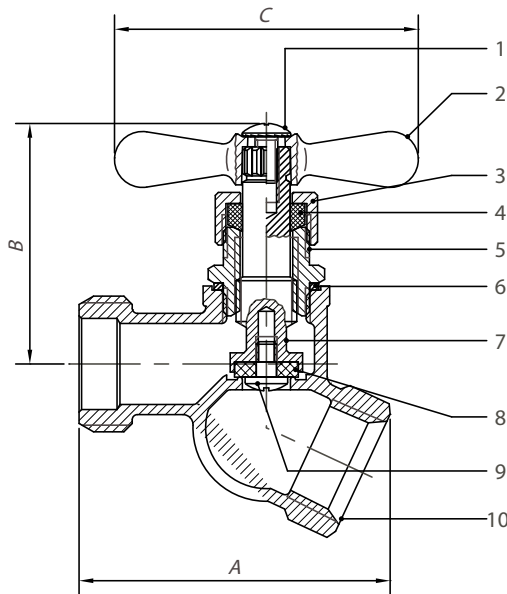
Houston, TX

Size IN	Part Number	Weight LB	A IN	B IN	C IN
1/2	0190167GL	0.5	1.46	2.28	2.36

LEAD-FREE BRASS NO KINK HOSE BIBB, FIP



- California AB1953 lead-free approved
- Meets Federal Safe Water Drinking Act
- 125 lb. CWP
- NPT x 3/4" NHT
- Cast brass
- Heavy duty configuration
- ANSI/NSF 61.8 approved (low lead)
- ISO 9001:2008 manufacturer



No.	Part	Material
1	Wheel Nut	Forged Steel ASTM-AISI-1010
2	T-Handle	Zinc Alloy ASTM B-584, C89550
3	Packing Nut	Brass ASTM B-16, C36000
4	Gland Packing	PTFE
5	Bonnet	Cast Brass ASTM B-584, C89550
6	Packing	Rubber
7	Stem	Cast Brass ASTM B-584, C89550
8	Seat Packing	NBR
9	Seat Screw	304 Stainless Steel
10	Body	Cast Brass ASTM B-584, C89550

Size IN	Part Number	Weight LB	A IN	B IN	C IN
1/2	0190168GL	0.48	1.46	2.28	2.36
3/4	0190168IL	0.53	1.46	2.28	2.36

USA 800-766-0076

Fax 323-890-4456

www.smithcooper.com

Los Angeles, CA

Chicago, IL

Atlanta, GA

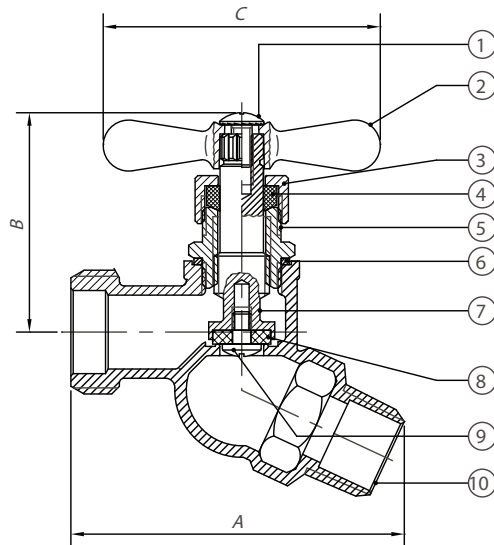
Vancouver, WA

Houston, TX

LEAD-FREE NO KINK HOSE BIBB, MIP THREADED / SWEAT



- California AB1953 lead-free approved
- Meets Federal Safe Water Drinking Act
- 125lb. CWP
- NPT/Sweat x 3/4" NHT
- Cast brass
- Heavy duty construction
- Certified to NSF/ANSI 61-8
- ISO 9001:2008 manufacturer



No.	Part	Material
1	Wheel Nut	Hot Rolled SAE 1010R
2	T-Handle	Zinc
3	Packing Nut	Brass B16 C36000
4	Gland Packing	PTFE
5	Bonnet	Cast Brass ASTM B-584, C89550
6	Packing	Formocon FM090 CF500P
7	Stem	Cast Brass ASTM B-584, C89550
8	Seat Packing	NBR
9	Seat Screw	304 Stainless Steel
10	Body	Cast Brass ASTM B-584, C89550

Size IN	Part Number	Weight LB	A IN	B IN	C IN
1/2	0190169GL	0.5	2.88	1.97	2.36
3/4	0190169IL	0.5	2.97	1.97	2.36

USA 800-766-0076

Fax 323-890-4456

www.smithcooper.com

Los Angeles, CA

Chicago, IL

Atlanta, GA

Vancouver, WA

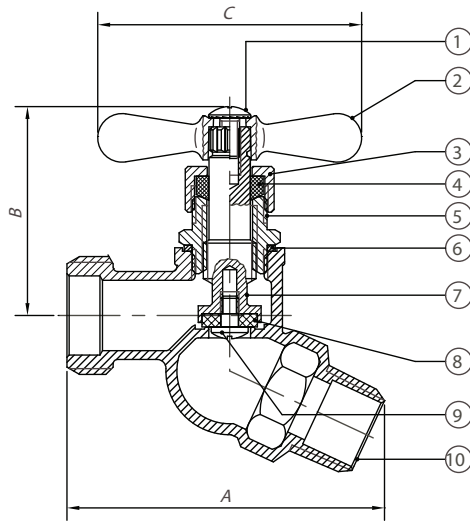
Houston, TX

Series 0190169IGL

LEAD-FREE BRASS NO KINK HOSE BIBB, MALE SWEAT/FEMALE SWEAT



- California AB1953 lead-free approved
- Meets Federal Safe Water Drinking Act
- 125 lb. CWP
- Sweat x 3/4" NHT
- Cast brass
- Heavy duty configuration
- ANSI/NSF 61.8 approved (low lead)
- ISO 9001:2008 manufacturer



No.	Part	Material
1	Wheel Nut	Forged Steel ASTM-AISI-1010
2	T-Handle	Zinc Alloy ASTM B-584, C89550
3	Packing Nut	Brass ASTM B-16, C36000
4	Gland Packing	PTFE
5	Bonnet	Cast Brass ASTM B-584, C89550
6	Packing	Rubber
7	Stem	Cast Brass ASTM B-584, C89550
8	Seat Packing	NBR
9	Seat Screw	304 Stainless Steel
10	Body	Cast Brass ASTM B-584, C89550

Size IN	Part Number	Weight LB	A IN	B IN	C IN
3/4 x 1/2	0190169IGL	0.54	1.46	2.28	2.36

USA 800-766-0076

Fax 323-890-4456

www.smithcooper.com

Los Angeles, CA

Chicago, IL

Atlanta, GA

Vancouver, WA

Houston, TX