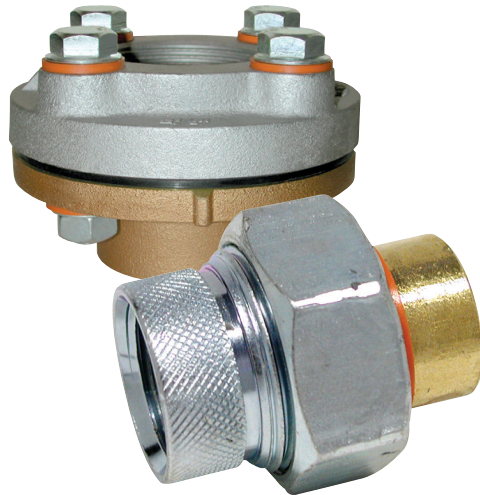
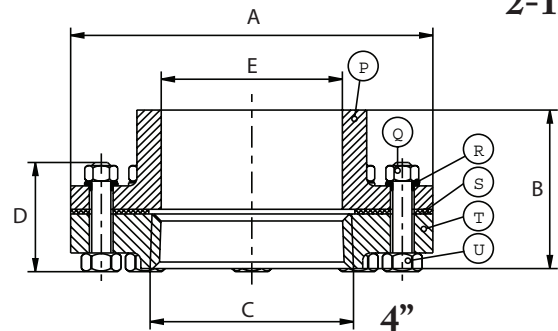
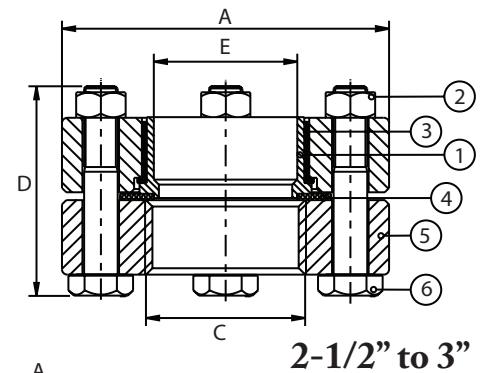
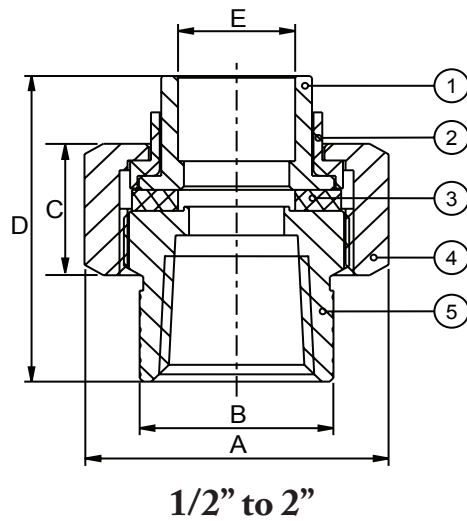


LEAD-FREE DIELECTRIC UNION (FIP x SOLDER)



- California AB1953 lead-free approved
- Meets Federal Safe Water Drinking Water Act lead-free requirements
- Prevents electrolysis
- Full flow
- Forged carbon steel nut, zinc plated (1/2" - 2")
- Forged carbon steel IPS connection, zinc plated (1/2" - 2")
- Working Pressure: 250psi @ 73°F (23°C)



No.	Part	Material
1	Solder End	Lead-Free Brass ASTM B-124 C46400
2	Insulator	Nylon
3	Washer	EPDM
4	Coupling Nut	Steel
5	FIP Adapter	Steel

No.	Part	Material
1	Solder Connection	Lead-Free Cast Brass, Alloy C89550
2	Nut	Steel, AISI 1010
3	Insulator	Nylon + Fiberglass Grilon TV-3H
4	Washer	EPDM
5	FIP Flange	Ductile Iron
6	Bolt	Steel, AISI 1010

Size IN	Part Number	Weight LB	A IN	B IN	C IN	D IN	E IN
1/2	0209FXGL	0.30	1.45	1.04	0.77	1.81	0.63
3/4	0209FXIL	0.43	1.64	1.26	0.78	2.05	0.88
1	0209FXKL	0.59	1.85	1.54	0.86	2.28	1.13
1-1/4	0209FXLL	0.86	2.56	1.86	0.88	2.54	1.37
1-1/2	0209FXML	1.42	2.95	2.15	0.97	2.70	1.63
2	0209FXNL	2.67	3.76	2.58	1.11	3.08	2.13
2-1/2	0209FXPL	13.22	6.00	3.03	2.88	3.88	2.63
3	0209FXQL	15.65	6.61	3.03	3.50	3.88	3.13
4	0209FXTL	27.91	9.00	4.10	4.50	2.76	4.13

USA 800-766-0076

Fax 323-890-4456

www.smithcooper.com

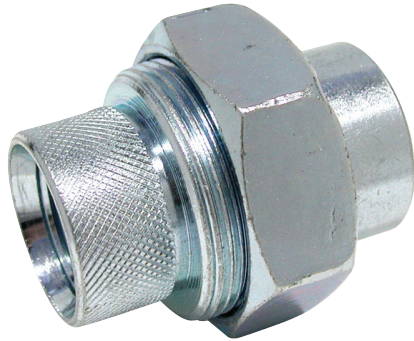
Los Angeles, CA

Chicago, IL

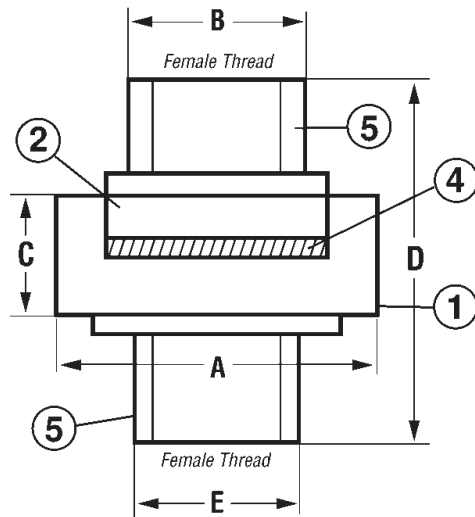
Atlanta, GA

Vancouver, WA

LEAD-FREE FEMALE IPS x FEMALE IPS DIELECTRIC UNION



- California AB1953 lead-free approved
- Meets Federal Safe Water Drinking Water Act lead-free requirements
- Prevents electrolysis
- Full flow
- Forged carbon steel nut, zinc plated
- Forged carbon steel IPS connections, zinc plated
- Working Pressure: 250psi @ 73°F (23°C)



No.	Part	Material
1	Nut	Forged Carbon Steel ASTM A 197
2	Insulator	Nylon + Fiberglass Grilon TV-3H
4	Washer	EPDM Rubber
5	FIP Inlet	Forged Carbon Steel ASTM A 197

USA 800-766-0076

Fax 323-890-4456

www.smithcooper.com

Los Angeles, CA

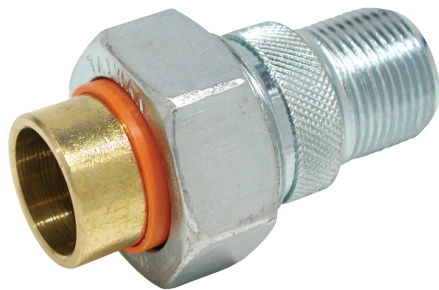
Chicago, IL

Atlanta, GA

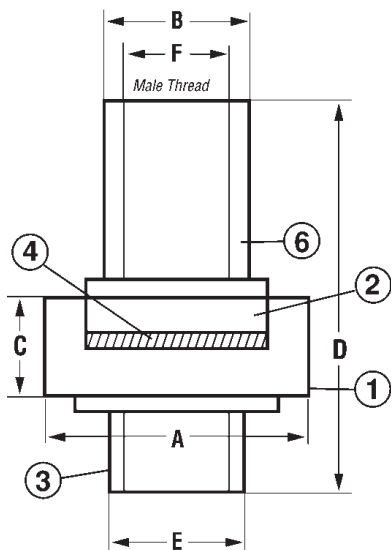
Vancouver, WA

Size IN	Part Number	Weight LB	A IN	B IN	C IN	D IN	E IN
1/2	0209FFGL	0.485	1.85	1.04	0.72	2.06	1.04
3/4	0209FFIL	0.639	2.13	1.24	0.72	2.22	1.24
1	0209FFKL	1.027	2.56	1.54	0.85	2.50	1.54

**LEAD-FREE MALE IRON PIPE X BRASS SWEAT
 DIELECTRIC UNION**



- California AB1953 lead-free approved
- Meets Federal Safe Water Drinking Water Act lead-free requirements
- Prevents electrolysis
- Full flow
- Forged carbon steel nut, zinc plated
- Forged carbon steel IPS connection, zinc plated
- Brass joint connection
- Working Pressure: 250psi @ 73°F (23°C)



No.	Part	Material
1	Nut	Forged Carbon Steel ASTM A197
2	Insulator	Nylon + Fiberglass Grilon TV-3H
3	Solder Joint	Brass ASTM B-124
4	Washer	EPDM Rubber
6	MIP Inlet	Forged Carbon Steel ASTM A197

Size IN	Part Number	Weight LB	A IN	B IN	C IN	D IN	E IN	F IN
1/2	0209MXGL	0.46	1.63	0.82	0.72	2.83	0.80	0.70
3/4x1/2	0209MXIGL	0.568	1.85	1.02	0.72	2.75	0.80	0.70
1	0209MXKL	0.577	1.85	1.02	0.72	2.92	1.04	0.84

USA 800-766-0076

Fax 323-890-4456

www.smithcooper.com

Los Angeles, CA

Chicago, IL

Atlanta, GA

Vancouver, WA