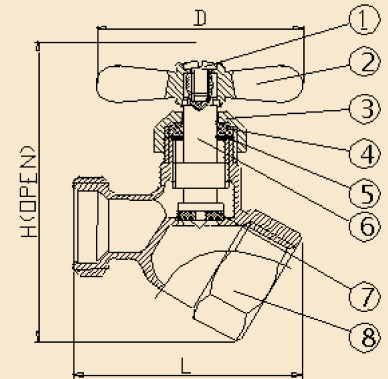
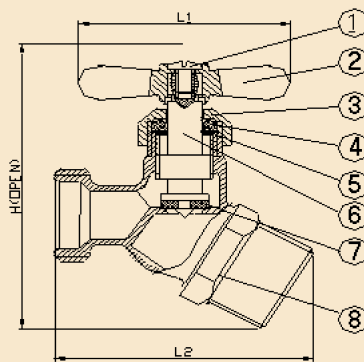


## PLUMBING VALVES

# NO-KINK HOSE BIBB

- Cast Brass
- 3/4" Hose Thread Outlet
- Pipe Threads Comply with ANSI B1.20.1
- Hose Threads Comply with ANSI B1.20.7

No.	Part	Materials Specification
①	Screw	Brass ASTM B-134, C27000
②	Handle	Brass Plate Zinc
③	Packing Nut	Brass ASTM B-124, C37700
④	Packing Washer	Rubber (NBR)
⑤	Washer	Stainless Steel 304
⑥	Stem	Cast Brass ASTM B-584, C85700
⑦	Bibb Washer	Rubber (NBR)
⑧	Body	Cast Brass ASTM B-584, C85700



190 159 SERIES						
NO-KINK HOSE BIBB (COMP X MHT)						
Size	Fig. #	Weight	Box/Case	L1	L2	H
1/2"	190 159G	0.41	20/120	2.09	2.99	3.30
190 161 SERIES						
NO-KINK HOSE BIBB (MIP X MHT)						
Size	Fig. #	Weight	Box/Case	L1	L2	H
1/2"	190 161G	0.32	20/120	2.09	2.40	3.05
3/4"	190 161I	0.37	20/120	2.09	2.60	3.10
190 162 SERIES						
NO-KINK HOSE BIBB (FIP X MHT)						
Size	Fig. #	Weight	Box/Case	D	L	H
1/2"	190 162G	0.33	20/120	2.09	2.20	3.07
3/4"	190 162I	0.38	20/120	2.09	2.40	3.07
190 163IG SERIES						
NO-KINK HOSE BIBB (SWT X MHT)						
Size	Fig. #	Weight	Box/Case	L1	L2	H
1/2" or 3/4"	190 163IG	0.50	20/120	2.09	2.57	3.28

190 159



190 161



190 162



190 163IG

