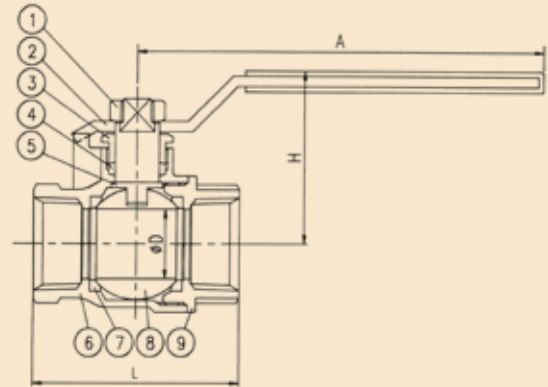


BALL VALVES

PREMIUM FULL PORT BALL VALVES

- 600# WOG, 150# WSP
- Full Port
- Blow Out Proof Stem
- Forged Brass Body
- UL Listed (1/4" - 2" Threaded)
- F/M Approved (1/2" - 2")
- CSA - Z21.15a for 1/2 Psig and 3-88 for 5 Psig (1/2" - 2")
- ANSI/ASME B16.33 Gas Piping to 125 Psig (1/2" - 2")
- Fed. Spec WW-V-35, Type II, Class A Style 3 (1/2" - 2")
- ANSI/NSF 61.8 Approved (Low Lead)
- MSS-SP-110
- ISO 9001 Manufacturer

No. Part	Materials Specification
① Nut	Forged Steel ASTM - AISI-1010 (1/8"- 2"), ASTM A-283 (2-1/2"- 4")
② Handle	Forged Steel ASTM-A-283-D
③ Packing Nut	Brass ASTM B-16, C36000 (1/8"- 2"), ASTM B-124, C37700 (2-1/2"- 4")
④ Stem Packing	PTFE
⑤ Stem	Brass ASTM B-16, C36000 (1/8"- 2"), ASTM B-124, C37700 (2-1/2"- 4")
⑥ Body	Forged Brass ASTM B-124 C37700, (1/8" - 1 1/2")
⑥ Body	Cast Brass ASTM B-584 C85700, (2" - 4")
⑦ Ball Seat	PTFE
⑧ Ball	Chrome Plated, Brass ASTM B-16, C36000, (1/8" - 1/2")
⑧ Ball	Chrome Plated, Forged Brass ASTM B-124, C37700 (3/4" - 4")
⑨ Body End Cap	Forged Brass ASTM B-124, C37700



172 8170 SERIES

BRASS BALL VALVE, THREADED

Size	Fig. #	Weight	Box/Case	L	H	D	A	CV
1/8"	172 8170 A	0.34	10/180	1.81	1.46	0.39	3.31	6.5
1/4"	172 8170 C	0.34	10/180	1.81	1.46	0.39	3.31	6.5
3/8"	172 8170 E	0.34	10/180	1.81	1.46	0.39	3.31	6.5
1/2"	172 8170 G	0.42	10/120	2.01	1.54	0.50	3.31	10.0
3/4"	172 8170 I	0.83	10/90	2.36	1.97	0.79	4.65	26.0
1"	172 8170 K	1.25	6/60	2.87	2.13	0.98	4.65	48.0
1-1/4"	172 8170 L	2.05	4/36	3.31	2.60	1.26	5.28	70.0
1-1/2"	172 8170 M	2.80	4/24	3.62	2.76	1.50	5.28	105.0
2"	172 8170 N	4.72	2/12	4.21	3.46	1.97	7.87	200.0
2-1/2"	172 8170 P	7.89	1/6	6.00	4.50	2.55	9.25	380.0
3"	172 8170 Q	11.68	1/3	6.50	4.92	2.95	9.25	550.0
4"	172 8170 T	22.11	1/2	7.75	5.75	3.94	10.39	1050.0



172 8171 SERIES

BRASS BALL VALVE, SOLDER END

Size	Fig. #	Weight	Box/Case	L	H	D	A	CV
1/2"	172 8171 G	0.37	10/120	1.93	1.50	0.50	3.31	10.0
3/4"	172 8171 I	0.79	10/90	2.76	1.58	0.79	4.65	26.0
1"	172 8171 K	1.16	6/60	3.31	1.77	0.98	4.65	48.0
1-1/4"	172 8171 L	1.88	4/36	3.78	2.01	1.26	5.28	70.0
1-1/2"	172 8171 M	2.57	4/24	4.29	2.17	1.50	5.28	105.0
2"	172 8171 N	4.53	2/12	5.31	2.64	1.97	6.35	200.0
2-1/2"	172 8171 P	6.88	1/6	6.34	4.17	2.55	7.87	380.0
3"	172 8171 Q	11.24	1/3	7.17	4.96	2.95	9.84	550.0
4"	172 8171 T	15.69	1/2	9.21	5.62	3.94	9.84	720.0

