

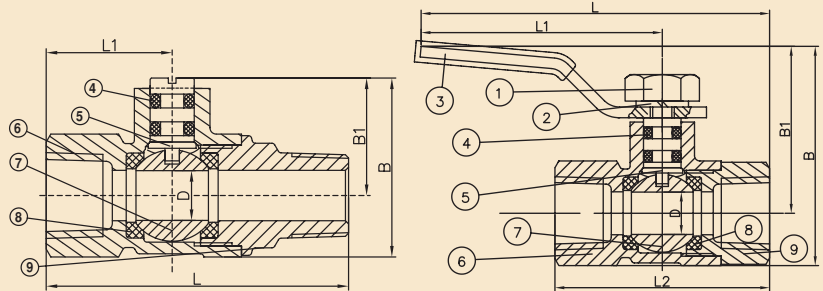
BALL VALVES

MINI BRASS BALL VALVES

- Forged Brass Body
- 600# WOG / 150#WSP

- ISO 9001 Manufacturer
- Month and Year Date Codes on each Valve Body

No.	Part	Materials Specification
①	Handle Nut	Forged Steel ASTM - AISI-1010
②	Handle Washer	Steel
③	Handle	Steel
④	O-Ring (2)	NBR
⑤	Stem	Forged Brass ASTM B-124, C37700
⑥	Body	Forged Brass ASTM B-124, C37700
⑦	Ball	Chrome Plated, Brass ASTM B-124, C37700
⑧	Seat Rings (2)	PTFE
⑨	Body End Cap	Forged Brass ASTM B-124, C37700



172 8140 SERIES

BRASS BALL VALVE

Size	Fig. #	Weight	Box/Case	L	L1	L2	B	B1	D	Handle
1/4" FIP x 1/4" FIP	0172 8140CC	0.15	25/300	2.48	1.69	1.58	1.60	1.22	0.31	Lever
1/4" FIP x 1/4" MIP	0172 8142CC	0.14	25/300	1.89	0.79	-	1.12	.732	0.31	Slotted Stem
1/4" FIP x 1/4" MIP	0172 8141CC	0.17	25/300	2.80	1.69	1.89	1.60	1.22	0.31	Lever
1/8" FIP x 1/8" MIP	0172 8141AA	0.17	25/300	2.76	1.69	1.81	1.60	1.22	0.31	Lever
1/4" FIP x 1/8" MIP	0172 8141CA	0.18	25/300	2.76	1.69	1.81	1.60	1.22	0.31	Lever

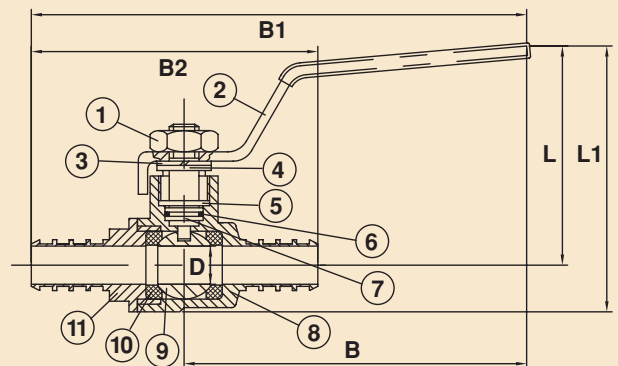


PEX X PEX BRASS BALL VALVES

- Forged Brass Body

- ISO 9001 Manufacturer

No.	Part	Materials Specification
①	Handle Nut	Forged Steel ASTM - AISI-1010
②	Handle	Steel
③	Handle Washer	Steel
④	Packing Nut	Forged Brass ASTM B-124, C37700
⑤	Washer	PFTE
⑥	O-Ring (2)	NBR
⑦	Stem	Forged Brass ASTM B-124, C37700
⑧	Body	Forged Brass ASTM B-124, C37700
⑨	Ball	Chrome Plated, Brass ASTM B-124, C37700
⑩	Seat Rings (2)	PTFE
⑪	Body End Cap	Forged Brass ASTM B-124, C37700



172 8183 SERIES

BRASS BALL VALVE (PEX x PEX)

Size	Fig. #	Weight	Box/Case	L	L1	B	B1	B2	D
1/2"	0172 8183G	0.30	10/120	1.77	2.21	3.35	4.84	2.44	0.35
3/4"	0172 8183I	0.44	8/96	1.77	2.40	3.35	4.88	2.70	0.53
1"	0172 8183K	0.73	3/36	2.17	2.89	4.33	6.18	3.43	0.72

