

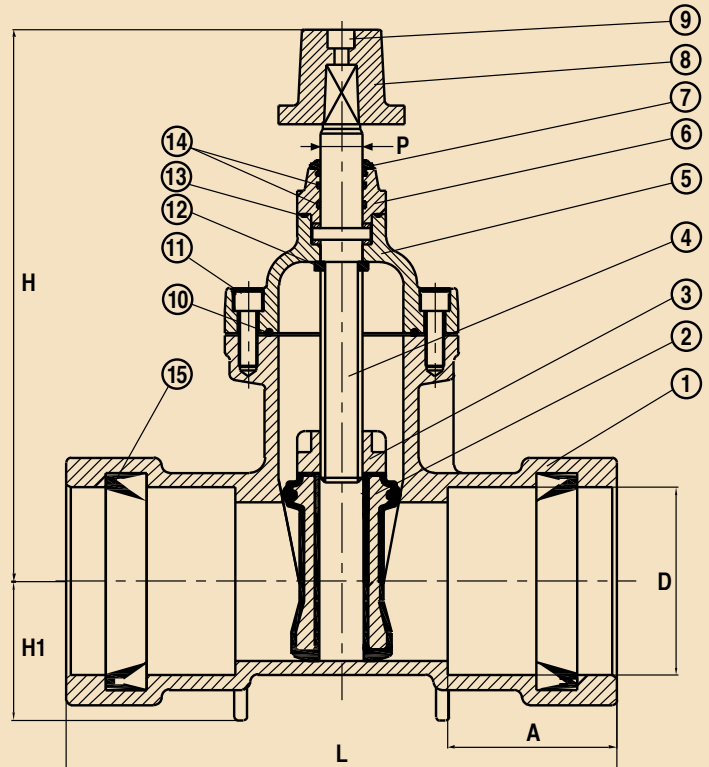
GATE VALVES

RESILIENT WEDGE DUCTILE IRON – PUSH ON

- IPS PVC Push-On
- Ductile Iron Body and Bonnet
- 250 PSI Non-Shock Cold Working Pressure
- Non-Rising Stem

- Fusion Bonded Epoxy Coating
- Stainless Steel Stem
- Stainless Steel Bonnet Bolts
- Meets AWWA C515

No.	Part	Materials Specification
①	Body	Ductile Iron A536 65/45/12
②	Wedge	Ductile Iron A536 65/45/12; Buna-N
③	Wedge Nut	Bronze B584 C83600
④	Stem	Stainless Steel 304
⑤	Bonnet	Ductile Iron A536 65/45/12
⑥	Packing Gland	Ductile Iron A536 65/45/12
⑦	Stem Wiper	Buna-N
⑧	Operating Nut	Ductile Iron A536 65/45/12
⑨	Handle Bolt	Stainless Steel 304
⑩	Bonnet O-Ring	Buna-N
⑪	Bonnet Bolts	Stainless Steel 304
⑫	Gasket	Buna-N
⑬	Packing/Bonnet O-Ring	Buna-N
⑭	Packing/Gland O-Ring	Buna-N
⑮	Gasket Ring (Push-On)	Buna-N



RESILIENT WEDGE DUCTILE IRON GATE VALVES
IPS PVC PUSH ON

Size	Weight	L	H	H1	D	A	P
2"	27.6	10.24	12.01	2.56	2.45	3.43	0.79
2-1/2"	37.5	10.75	12.40	2.95	2.99	3.54	0.79
3"	46.3	12.00	13.62	3.15	3.62	3.74	0.87
4"	68.3	13.78	15.55	3.54	4.69	4.21	1.02
6"	145.5	16.85	20.47	4.53	6.77	5.71	1.14
8"	207.2	18.50	22.24	6.10	8.74	6.57	1.26

