

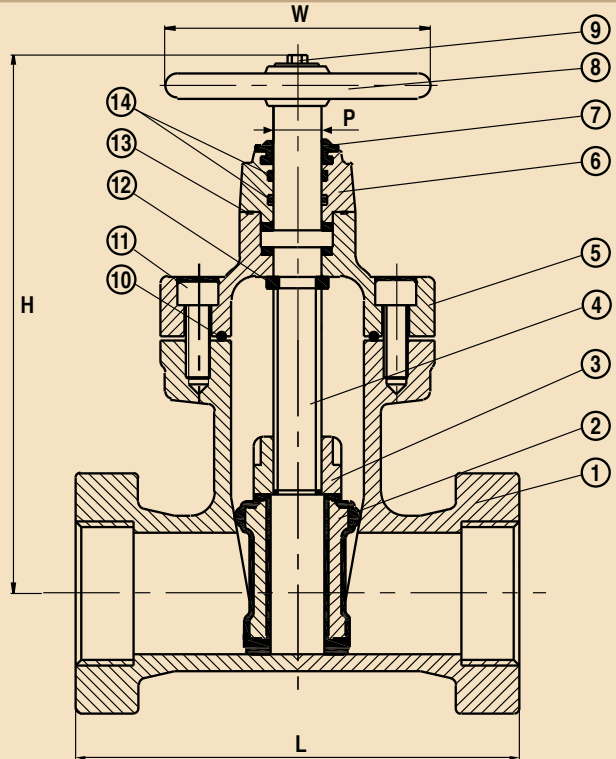
**GATE VALVES**

## RESILIENT WEDGE DUCTILE IRON – THREADED

- Threaded
- Ductile Iron Body and Bonnet
- 250 PSI Non-Shock Cold Working Pressure
- Non-Rising Stem

- Fusion Bonded Epoxy Coating
- Stainless Steel Stem
- Stainless Steel Bonnet Bolts
- Meets AWWA C515

No.	Part	Materials Specification
①	Body	Ductile Iron A536 65/45/12
②	Wedge	Ductile Iron A536 65/45/12; Buna-N
③	Wedge Nut	Bronze B584 C83600
④	Stem	Stainless Steel 304
⑤	Bonnet	Ductile Iron A536 65/45/12
⑥	Packing Gland	Ductile Iron A536 65/45/12
⑦	Stem Wiper	Buna-N
⑧	Handle	Ductile Iron A536 65/45/12
⑨	Handle Bolt	Stainless Steel 304
⑩	Bonnet O-Ring	Buna-N
⑪	Bonnet Bolts	Stainless Steel 304
⑫	Gasket	Buna-N
⑬	Packing/Bonnet O-Ring	Buna-N
⑭	Packing/Gland O-Ring	Buna-N



RESILIENT WEDGE DUCTILE IRON GATE VALVES  
THREADED

Size	Weight	L	H	W	P
2"	27.6	7.00	9.53	7.09	0.87
3"	48.5	8.00	13.62	7.87	1.02
4"	68.3	9.02	1.38	9.90	1.02

